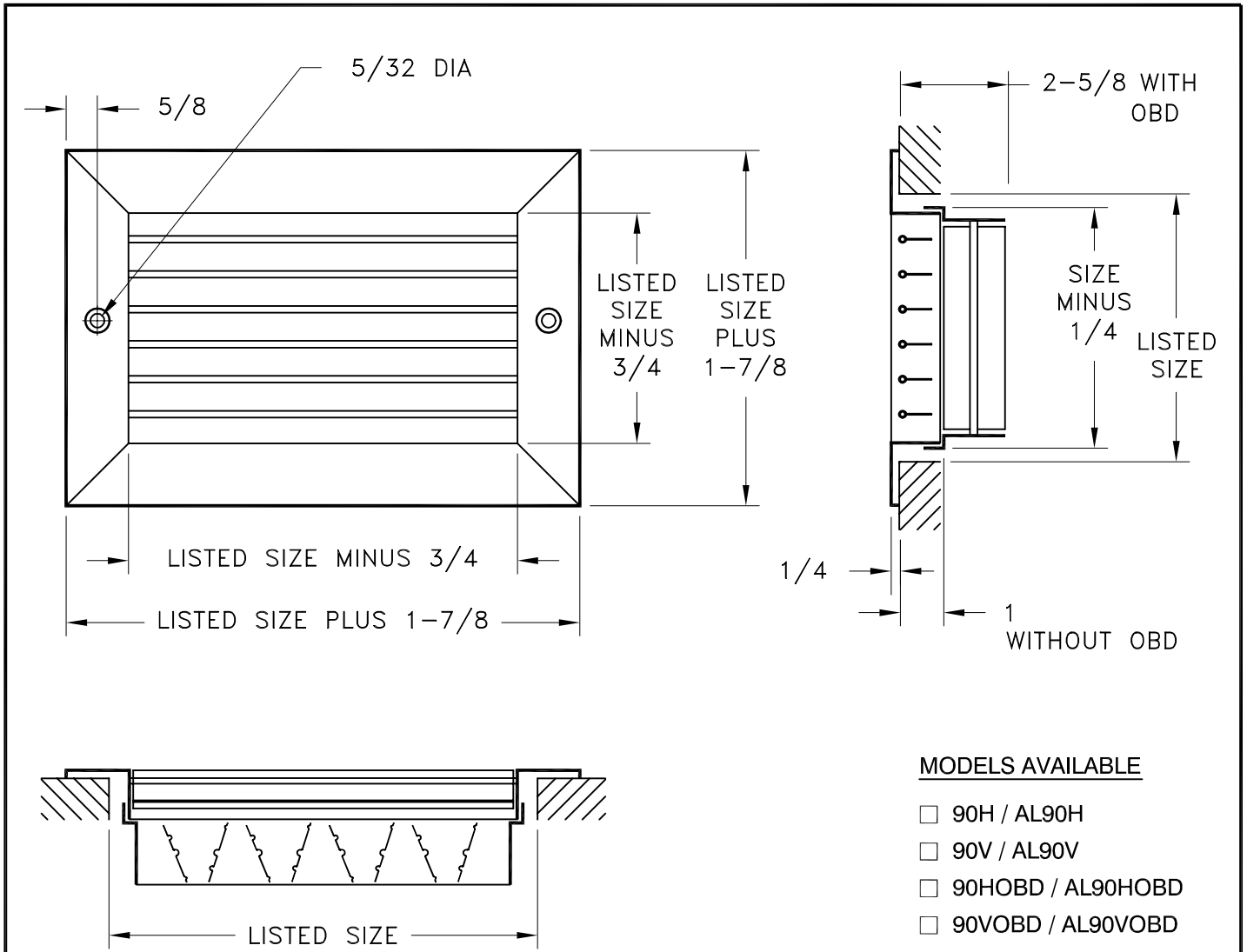


MODEL 90/AL90

SINGLE DEFLECTION SUPPLY

STANDARD INDUSTRY TOLERANCES APPLY. SPECIFICATIONS SUBJECT TO CHANGE WITHOUT NOTICE.



Model 90 provides effective air deflection in two directions. Blades are spaced at 3/4" and are spring stiffened at both ends to permit positive setting without special tools. Optional Opposed Blade Damper (OBD) ensures exacting volume control by spreading air uniformly. Damper is screw driver operated. Steel or aluminum construction with steel OBD standard (aluminum AL-OBD is optional). Standard finish is white.

PROJECT: _____

ARCHITECT: _____

ENGINEER: _____

CONTRACTOR: _____

LOCATION: _____



J&J REGISTER
AIR DISTRIBUTION PRODUCTS