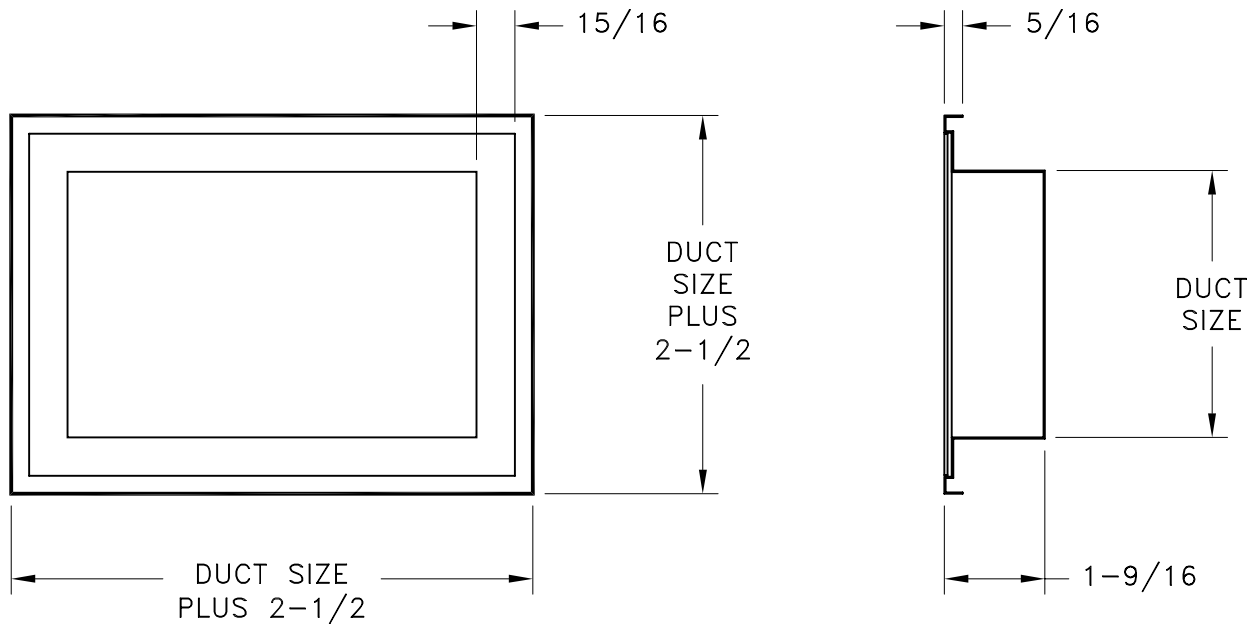


MODEL 9PF/AL9PF

PLASTER FRAME

STANDARD INDUSTRY TOLERANCES APPLY. SPECIFICATIONS SUBJECT TO CHANGE WITHOUT NOTICE.

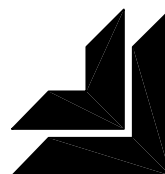


MODEL 9-PF

MODEL AL9-PF

Model 9-PF Plaster Frame provides an extra neat appearance and facilitates faster installation and removal of registers or grilles. Frames can be installed before or after plastering. On orders for plaster frames and grilles, frames are fastened to the grille and shipped as one unit. This saves sorting at installation time. Steel or aluminum construction. Standard finish is white.

PROJECT: _____
 ARCHITECT: _____
 ENGINEER: _____
 CONTRACTOR: _____
 LOCATION: _____



J&J REGISTER
AIR DISTRIBUTION PRODUCTS