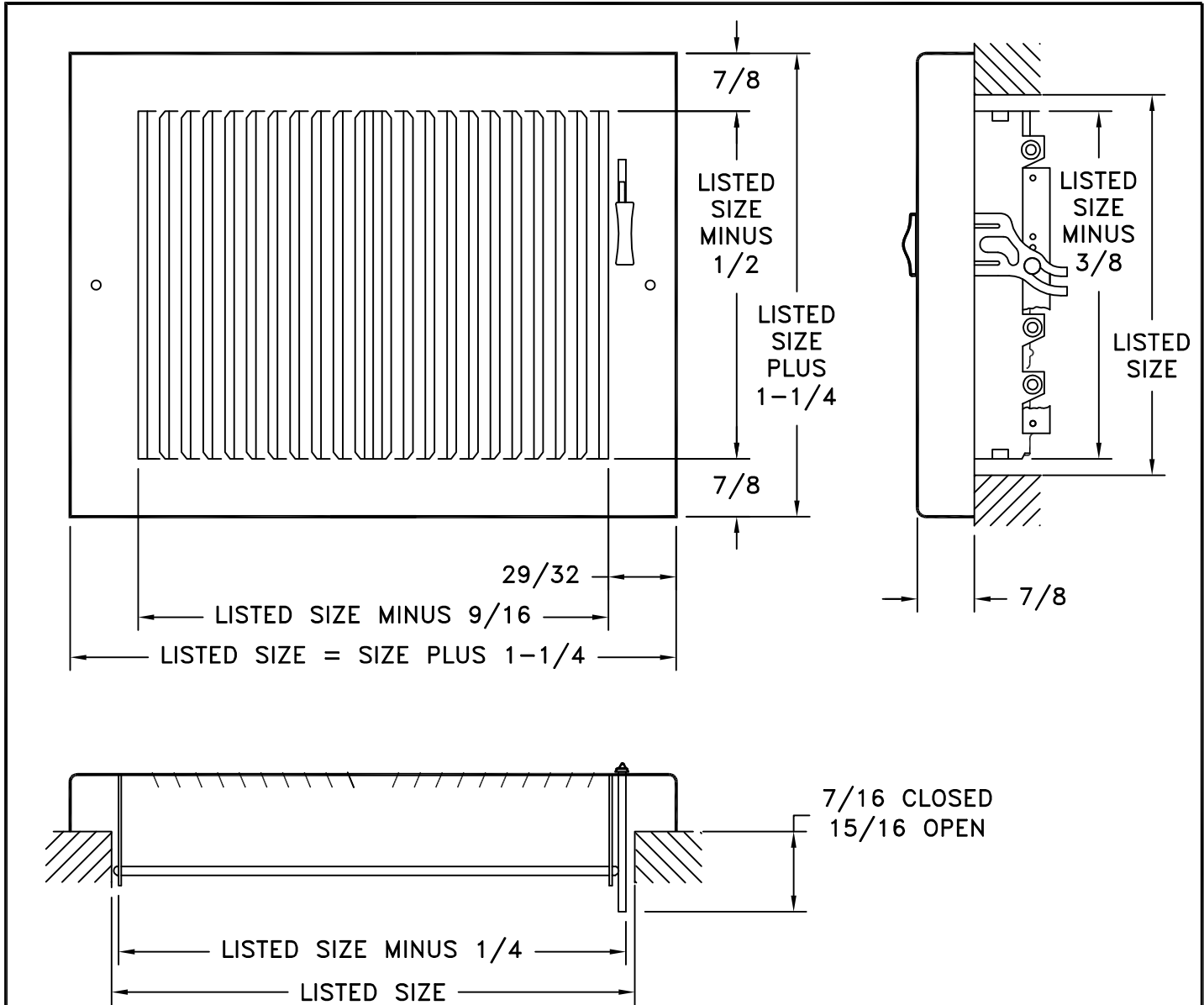


MODEL 667
 BASEBOARD SUPPLY REGISTER WITH 1/3 INCH FIN SPACING
 2-WAY

STANDARD INDUSTRY TOLERANCES APPLY. SPECIFICATIONS SUBJECT TO CHANGE WITHOUT NOTICE.



Model 667 is a stamped straight blade baseboard register with mounting holes. Constructed of steel with 1/3 inch fin spacing set at 20 degrees, it features a multi-louvered damper. Standard finish is white.

PROJECT: _____
 ARCHITECT: _____
 ENGINEER: _____
 CONTRACTOR: _____
 LOCATION: _____

