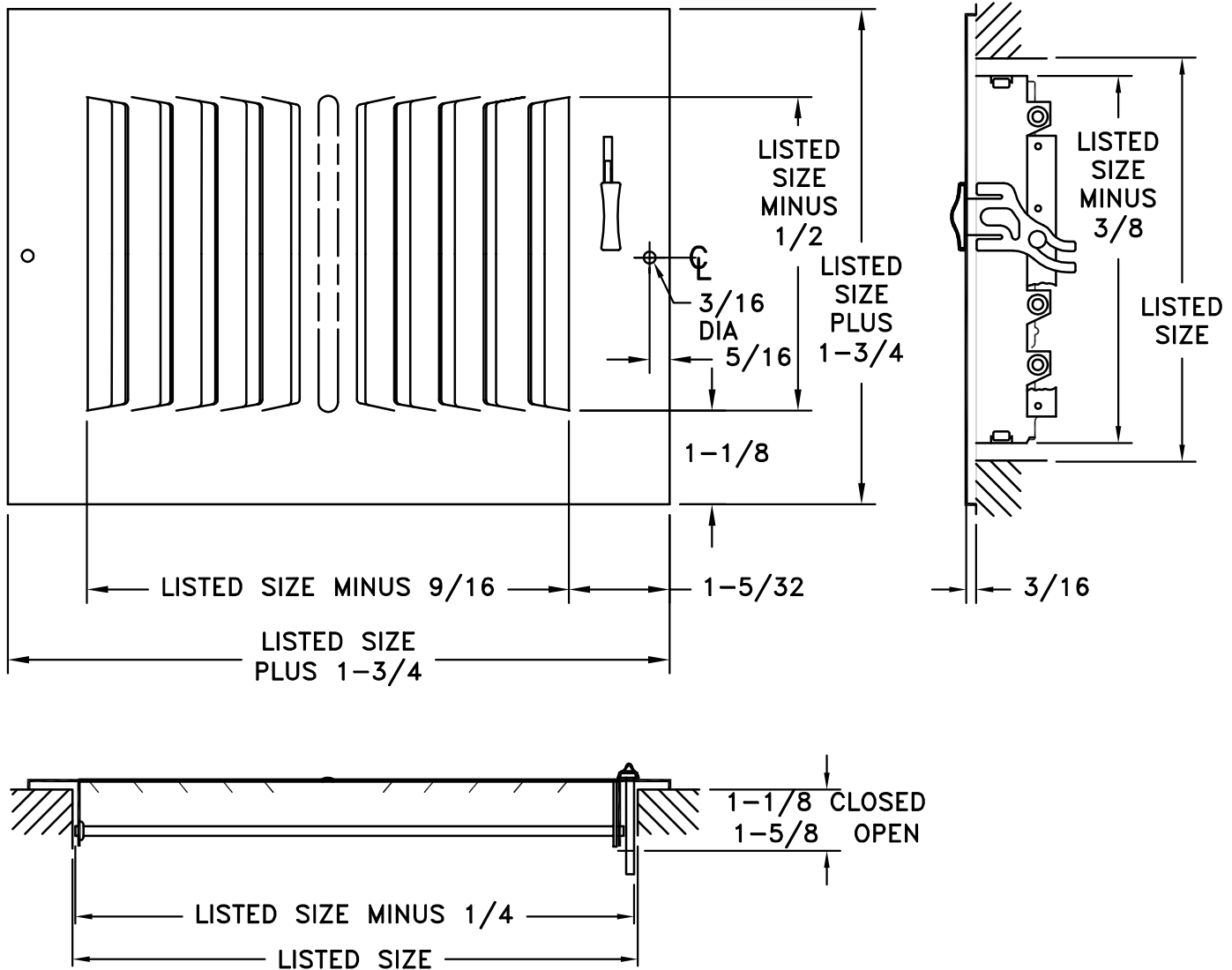


MODEL 602 & AL602

STAMPED STRAIGHT BLADE SUPPLY WITH MULTI-LOUVER DAMPER

STANDARD INDUSTRY TOLERANCES APPLY. SPECIFICATIONS SUBJECT TO CHANGE WITHOUT NOTICE.



Model 602/AL602 is a stamped straight blade supply for ceiling or sidewall installation. The 602/AL602 features a one-piece faceplate with a multi-louver steel damper for volume control. Fins spaced at 1/2" and set at 40 degrees. Two way deflection is ideal for heating or cooling. Available in steel or aluminum. Standard finish is white.

PROJECT: _____
 ARCHITECT: _____
 ENGINEER: _____
 CONTRACTOR: _____
 LOCATION: _____

