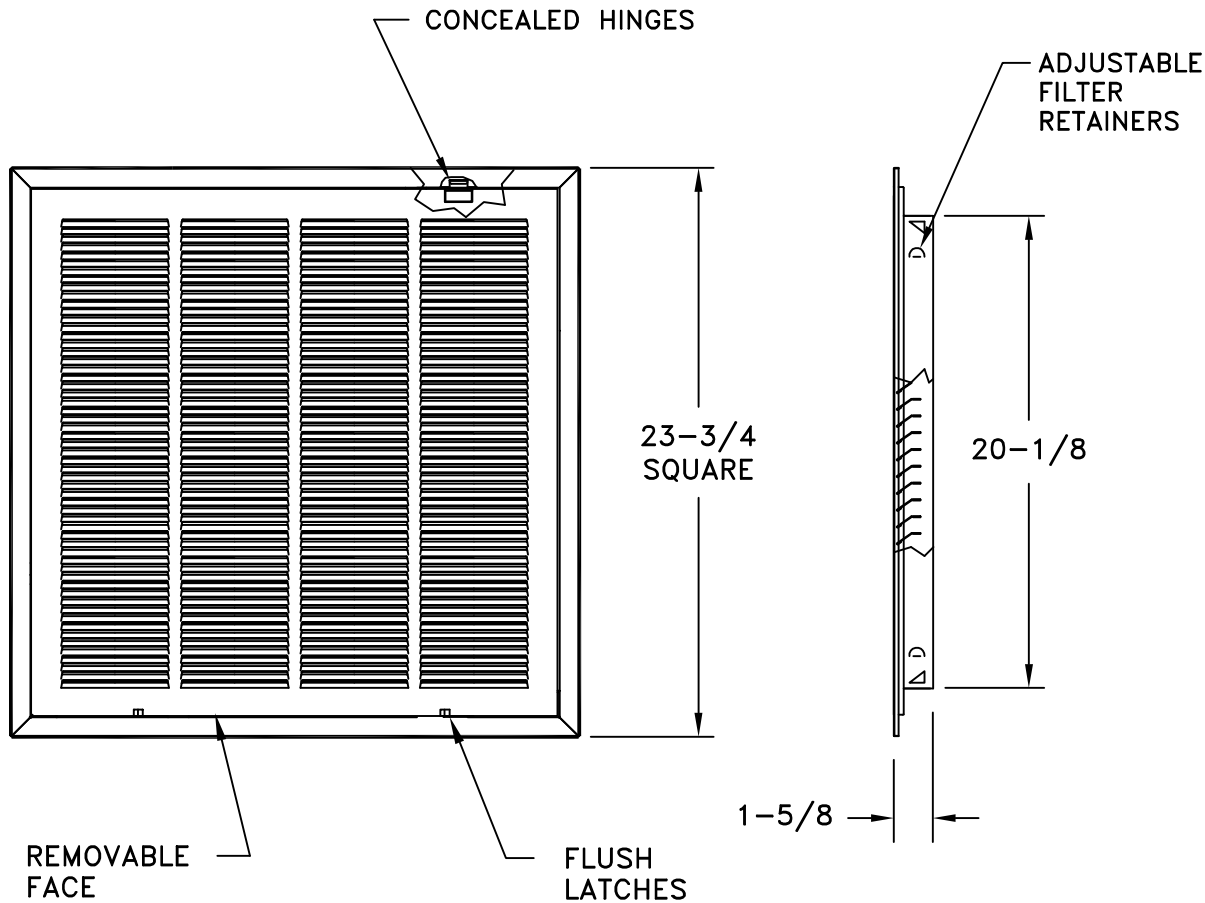


MODEL 60-GH-FF FRAME 33

STAMPED FACE RETURN GRILLE with FILTER FRAME FOR T-BAR CEILINGS

STANDARD INDUSTRY TOLERANCES APPLY. SPECIFICATIONS SUBJECT TO CHANGE WITHOUT NOTICE.



Model 60-GH-FF is a T-bar filter frame with a removable stamped face designed for use in air handling systems. In addition to being a filter grille, it provides access to the air handling unit. The frame holds standard 1" disposable filters (by others). Louvers are 1/2" apart at 30°. Steel construction only. Sizes 20 x 20 and 20 x 44. Standard finish is white.

PROJECT: _____
ARCHITECT: _____
ENGINEER: _____
CONTRACTOR: _____
LOCATION: _____

