

**SUBMITTAL DRAWING**

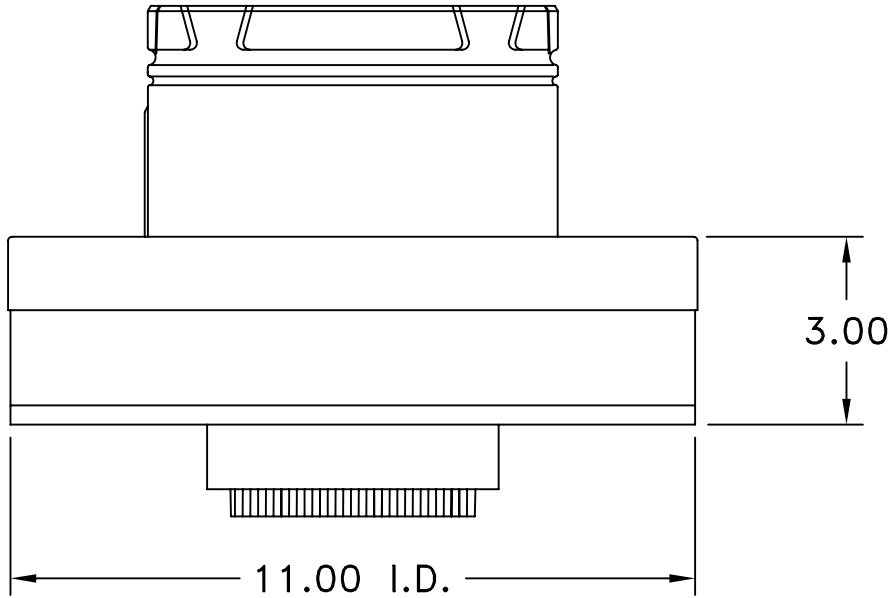
DATE: 05/03/05

SUBMITTED BY:

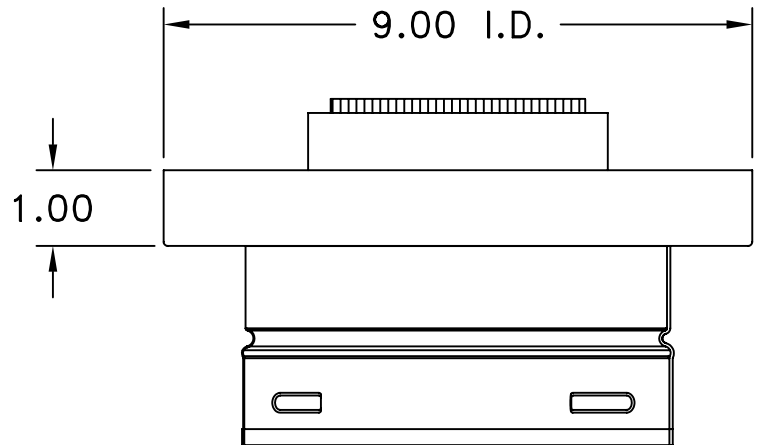
JOB NAME: \_\_\_\_\_  
 LOCATION: \_\_\_\_\_  
 ARCHITECT: \_\_\_\_\_  
 ENGINEER: \_\_\_\_\_  
 CONTRACTOR: \_\_\_\_\_

**AMERIVENT DIRECT  
 RETRO CONVERSION KIT A  
 (4DRCKA)**

DRAWING #: B7-1



CAP ADAPTOR (4DCAA)



BLACK CONVERSION ADAPTOR  
(4DCNA)



- FOR CONVERTING OVER TO A 4" X 6-5/8" DIRECT VENT APPLIANCE FROM A FACTORY-BUILT 8" CLASS-A ALL FUEL METAL CHIMNEY
- KIT INCLUDES STAINLESS STEEL SCREW PACK
- CAP ADAPTOR (4DCAA) IS UNPAINTED