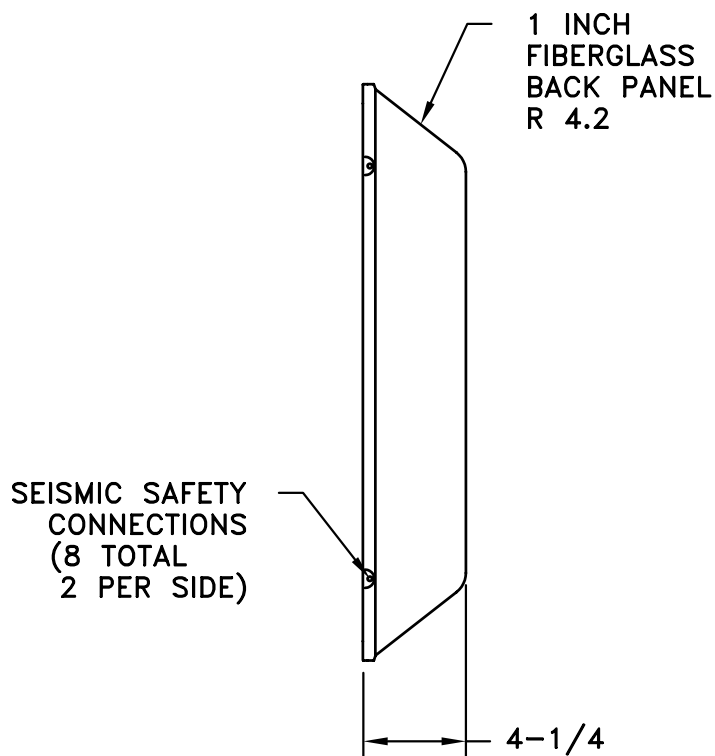
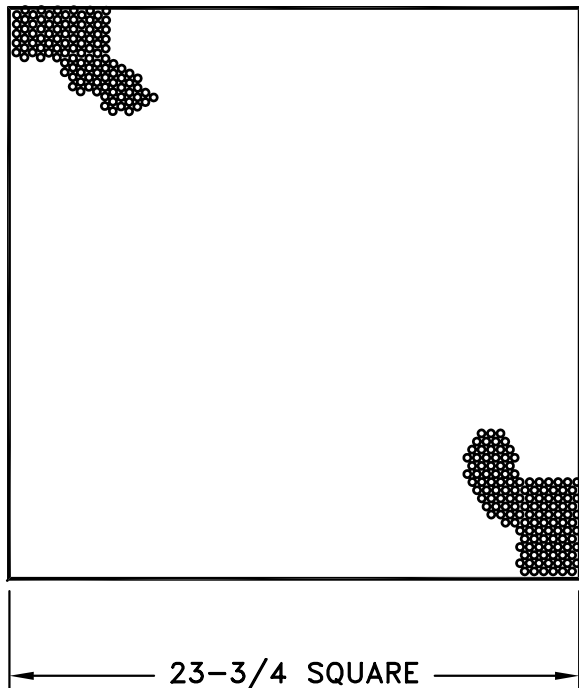


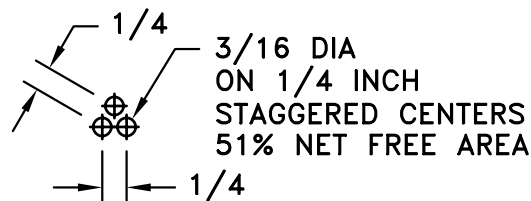
MODEL 4230

PERFORATED RETURN WITH FIBERGLASS PLENUM FOR T-BAR CEILING

STANDARD INDUSTRY TOLERANCES APPLY. SPECIFICATIONS SUBJECT TO CHANGE WITHOUT NOTICE.



FACE DETAIL



FEATURES

- 1" fiberglass plenum; R4.2 (R6 Optional)
- Aluminum foil vapor barrier
- Fits standard 24" x 24" lay-in T-Bar
- Standard finish is white
- Fiberglass plenum tested in compliance with surface burning characteristics ASTM E-84 and erosion test UL181
- Approved for use in Los Angeles, RR - 7811
- Prescored back accepts 6 to 14 inch spin or tab collars

PROJECT: _____

ARCHITECT: _____

ENGINEER: _____

CONTRACTOR: _____

LOCATION: _____



J&J REGISTER
AIR DISTRIBUTION PRODUCTS