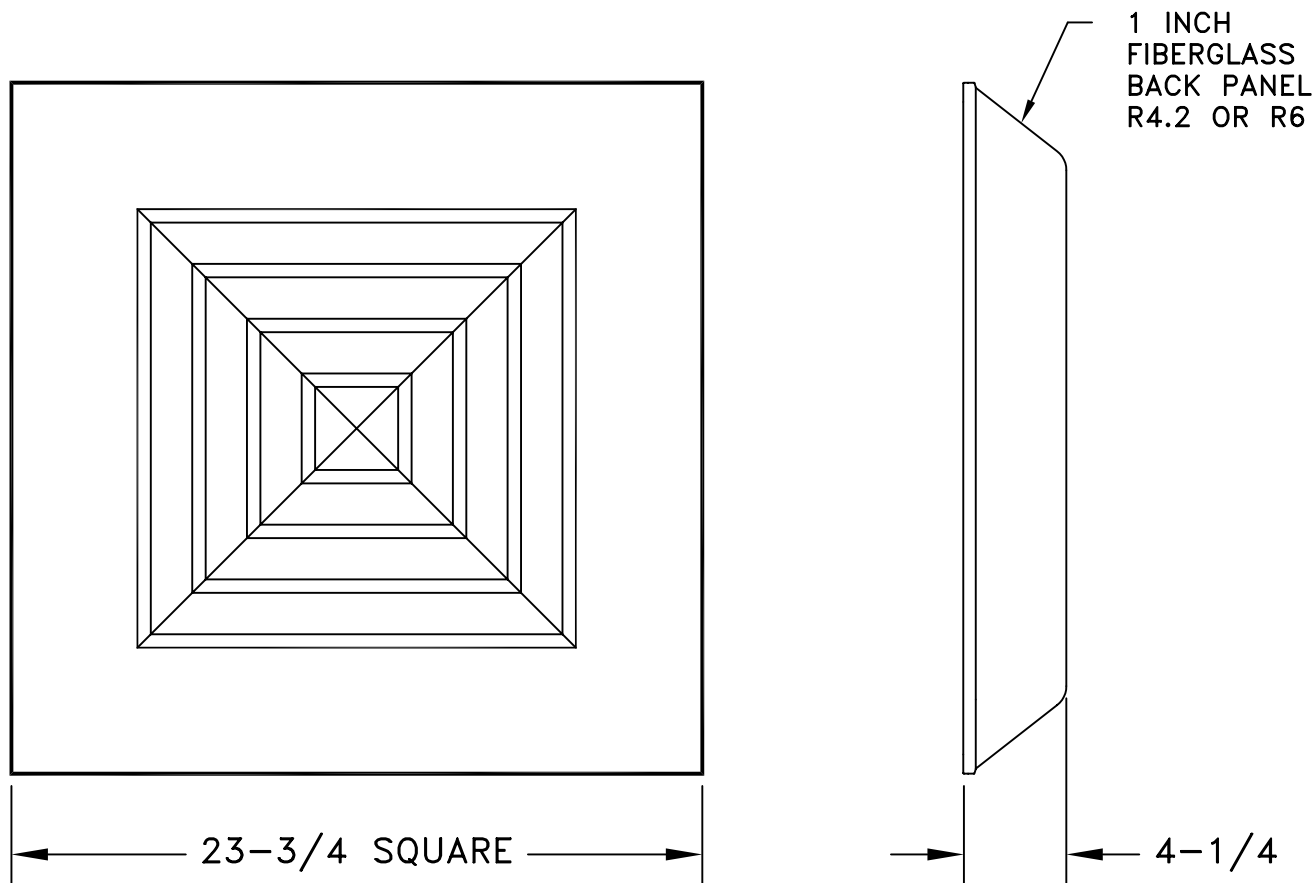


MODEL 4214**STEEL LOUVERED FACE CEILING DIFFUSER WITH
FIBERGLASS PLENUM FOR T-BAR CEILING**

STANDARD INDUSTRY TOLERANCES APPLY. SPECIFICATIONS SUBJECT TO CHANGE WITHOUT NOTICE.



Model 4214 is designed to fit a standard 2 x 2 T-Bar ceiling system. The steel 15 x 15 inch core is removable. It comes with a molded fiberglass back and bonded foil vapor barrier to help minimize condensation problems. The fiberglass back absorbs sound and is prescored to accept 6 to 14 inch spin or tab collars (supplied by others). Optional damper available. Approved for use in the city of Los Angeles, RR-7811. Steel construction. Standard finish is white.

PROJECT: _____
 ARCHITECT: _____
 ENGINEER: _____
 CONTRACTOR: _____
 LOCATION: _____



J&J REGISTER
 AIR DISTRIBUTION PRODUCTS