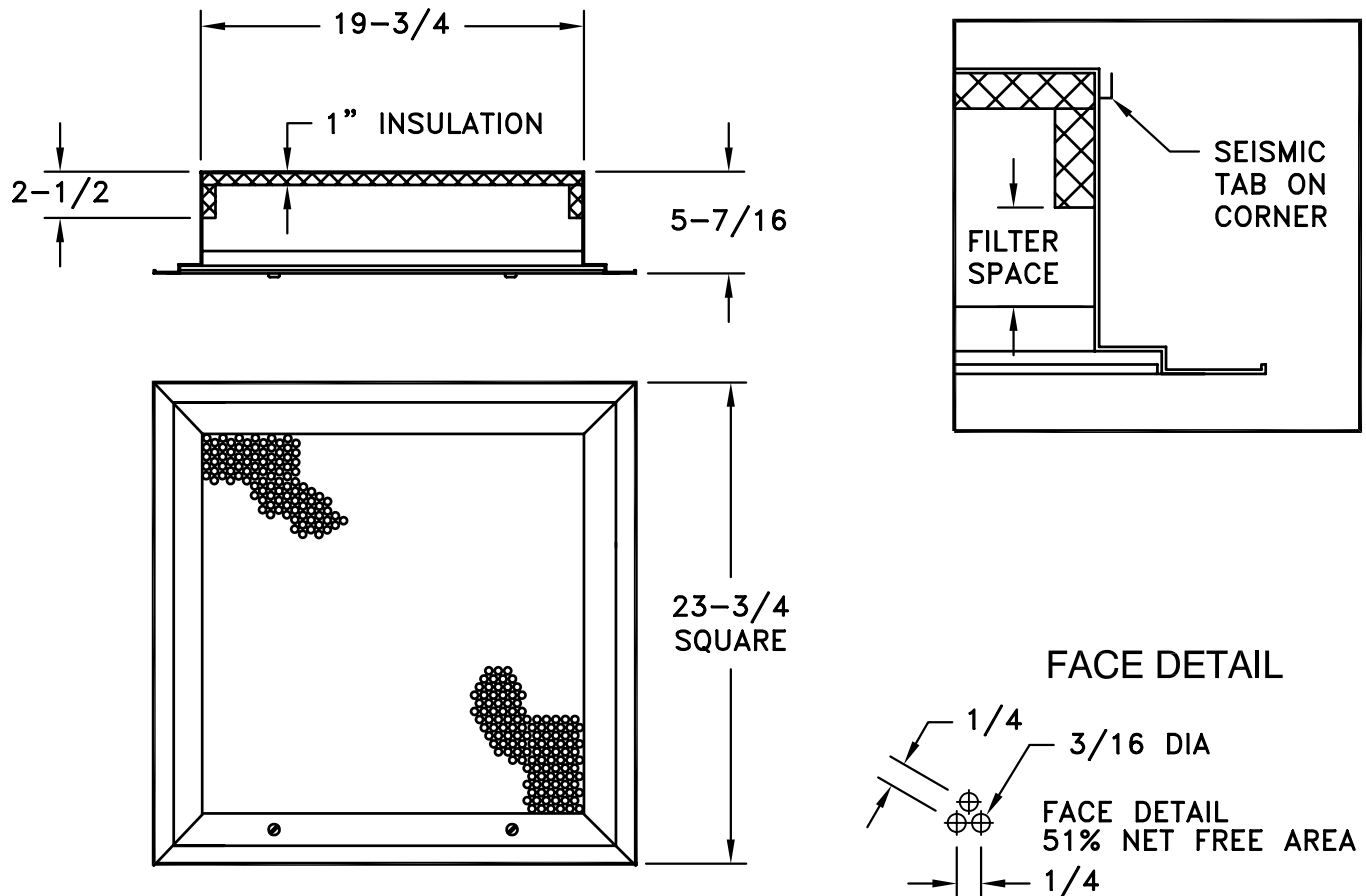


MODEL 4212FF**PERFORATED FILTER GRILLE WITH FIBERGLASS
PLENUM FOR T-BAR CEILING**

STANDARD INDUSTRY TOLERANCES APPLY. SPECIFICATIONS SUBJECT TO CHANGE WITHOUT NOTICE.

**FEATURES**

- Insulated 1" fiberglass plenum R4.2 STD., R6 Optional
- Aluminum foil vapor barrier
- 24" x 24" Lay-in T-Bar
- Perforated screen face
- Concealed hinges
- Accepts standard 20" x 20" x 1" filter (not included)
- Earthquake tabs included
- Standard finish is white
- Steel construction
- Fiberglass plenum tested in compliance with surface burning characteristics (UL 723, ASTM E-84 and erosion test (UL181)

PROJECT: _____

ARCHITECT: _____

ENGINEER: _____

CONTRACTOR: _____

LOCATION: _____



J&J REGISTER
AIR DISTRIBUTION PRODUCTS