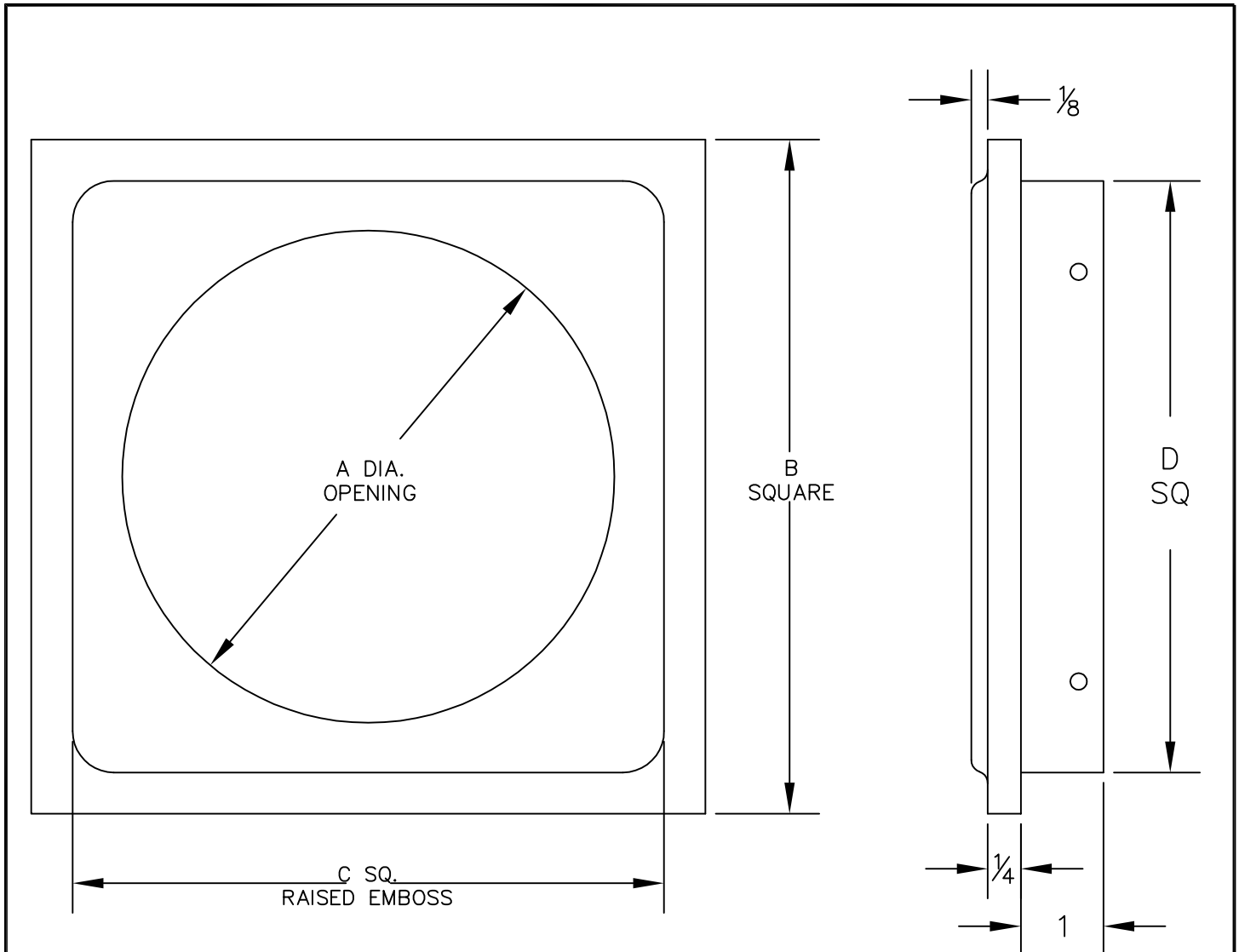


# MODEL 3210W & 3212W

## LAUNDRY CHUTE DOOR

STANDARD INDUSTRY TOLERANCES APPLY. SPECIFICATIONS SUBJECT TO CHANGE WITHOUT NOTICE.



Spring-hinged, push-in laundry chute door with inner rubber guards for quiet closing. Easy to install. Steel with baked white enamel finish for long-lasting durability.

MODEL	A DIA.	B SQ.	C SQ.	D SQ.
3210W	8 1/2	12	11	9-3/4"
3212W	10	13 1/4	12 1/4	11-1/4"

PROJECT: \_\_\_\_\_

ARCHITECT: \_\_\_\_\_

ENGINEER: \_\_\_\_\_

CONTRACTOR: \_\_\_\_\_

LOCATION: \_\_\_\_\_

