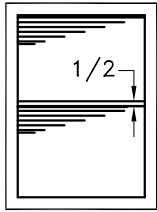


MODEL AL2810 / AL2815

MOUNTING & MULLION DETAILS

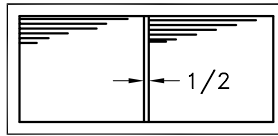
STANDARD INDUSTRY TOLERANCES APPLY. SPECIFICATIONS SUBJECT TO CHANGE WITHOUT NOTICE.

STANDARD MULLION DETAILS FOR SIZES GREATER THAN 36 W X 18 H ONE PIECE MARGIN



MIN. SIZE: 6 W X 20 H
MAX. SIZE: 36 W X 36 H
ALL STYLES (TWO CORES)

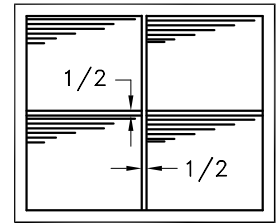
IN INCH INCREMENTS OF
WIDTH AND EVEN 2 INCH
INCREMENTS OF HEIGHT



MIN. SIZE: 38 W X 3 H
MAX. SIZE: 48 W X 18 H

(TWO CORES)

IN EVEN 2 INCH INCREMENTS OF WIDTH
AND 1 INCH INCREMENTS OF HEIGHT

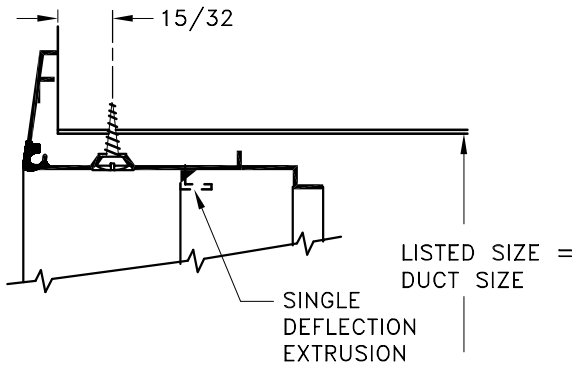


MIN. SIZE: 38 W X 20 H
MAX. SIZE: 48 W X 24 H

(FOUR CORES)

IN EVEN 2 INCH INCREMENTS
OF WIDTH AND HEIGHT

STANDARD MOUNTING METHOD

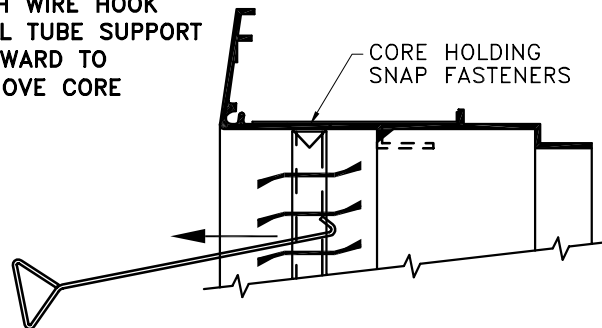


TO INSTALL:

- 1) REMOVE CORE
- 2) DRILL PILOT HOLE IN DUCT
USING MARGIN AS TEMPLATE
- 3) FASTEN WITH OVAL HEAD SHEET METAL SCREWS

CORE REMOVAL

WITH WIRE HOOK
PULL TUBE SUPPORT
FORWARD TO
REMOVE CORE



PROJECT: _____
 ARCHITECT: _____
 ENGINEER: _____
 CONTRACTOR: _____
 LOCATION: _____



J&J REGISTER
AIR DISTRIBUTION PRODUCTS