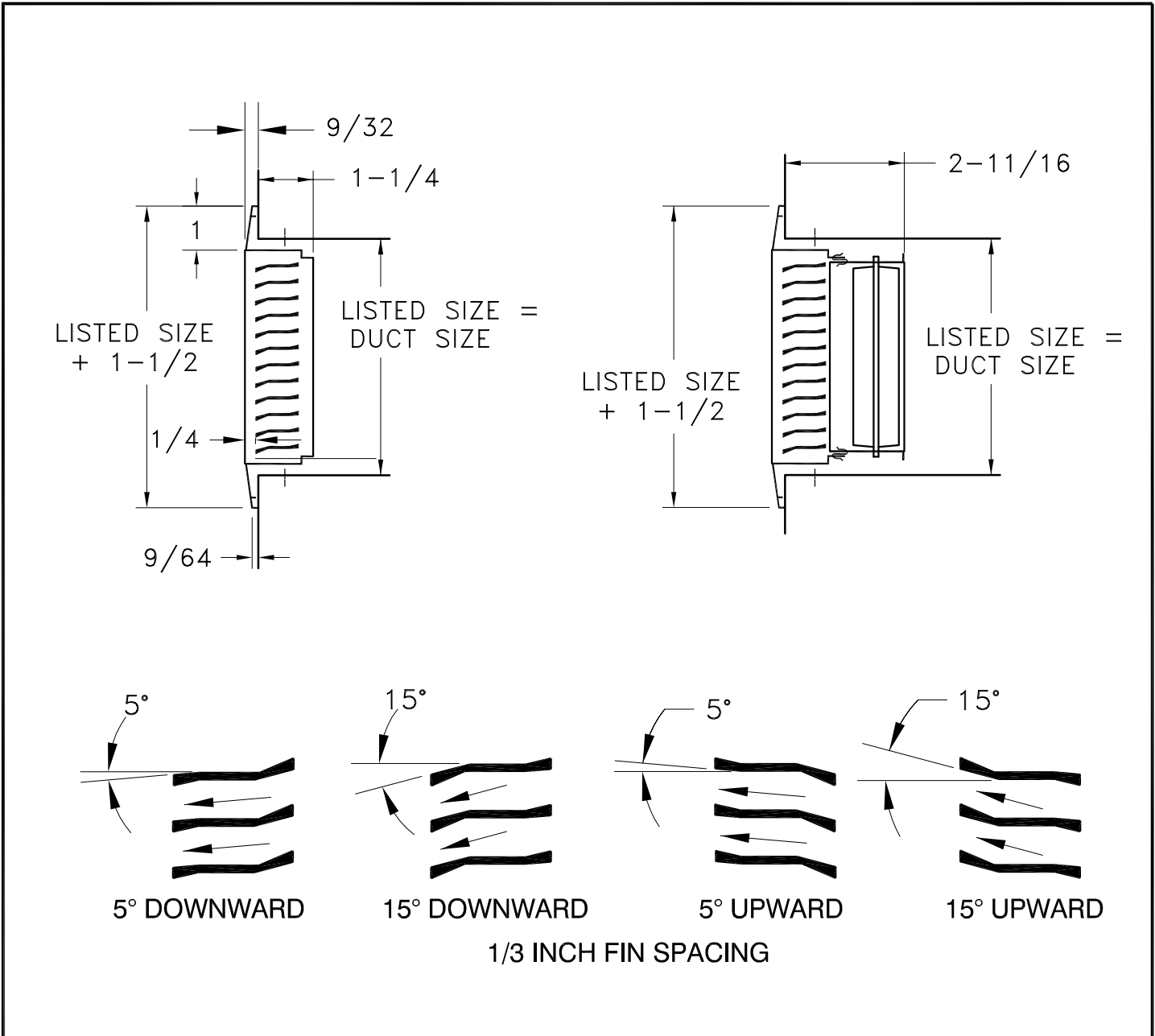


MODEL AL2810

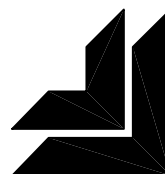
REVERSIBLE CORE RETURN

STANDARD INDUSTRY TOLERANCES APPLY. SPECIFICATIONS SUBJECT TO CHANGE WITHOUT NOTICE.



Model AL2810 is a Multi-Deflection return air grille. Horizontal front deflecting vanes in a reversible removable core providing 15° up and 5° down or 15° down and 5° up pattern deflections. Deflection vanes of extruded aluminum are set on $1/3$ " centers. Invisible mounting, no screw holes on face. Extruded aluminum construction with optional steel OBD. Standard finish is white (WHT).

PROJECT: _____
 ARCHITECT: _____
 ENGINEER: _____
 CONTRACTOR: _____
 LOCATION: _____



J&J REGISTER
AIR DISTRIBUTION PRODUCTS