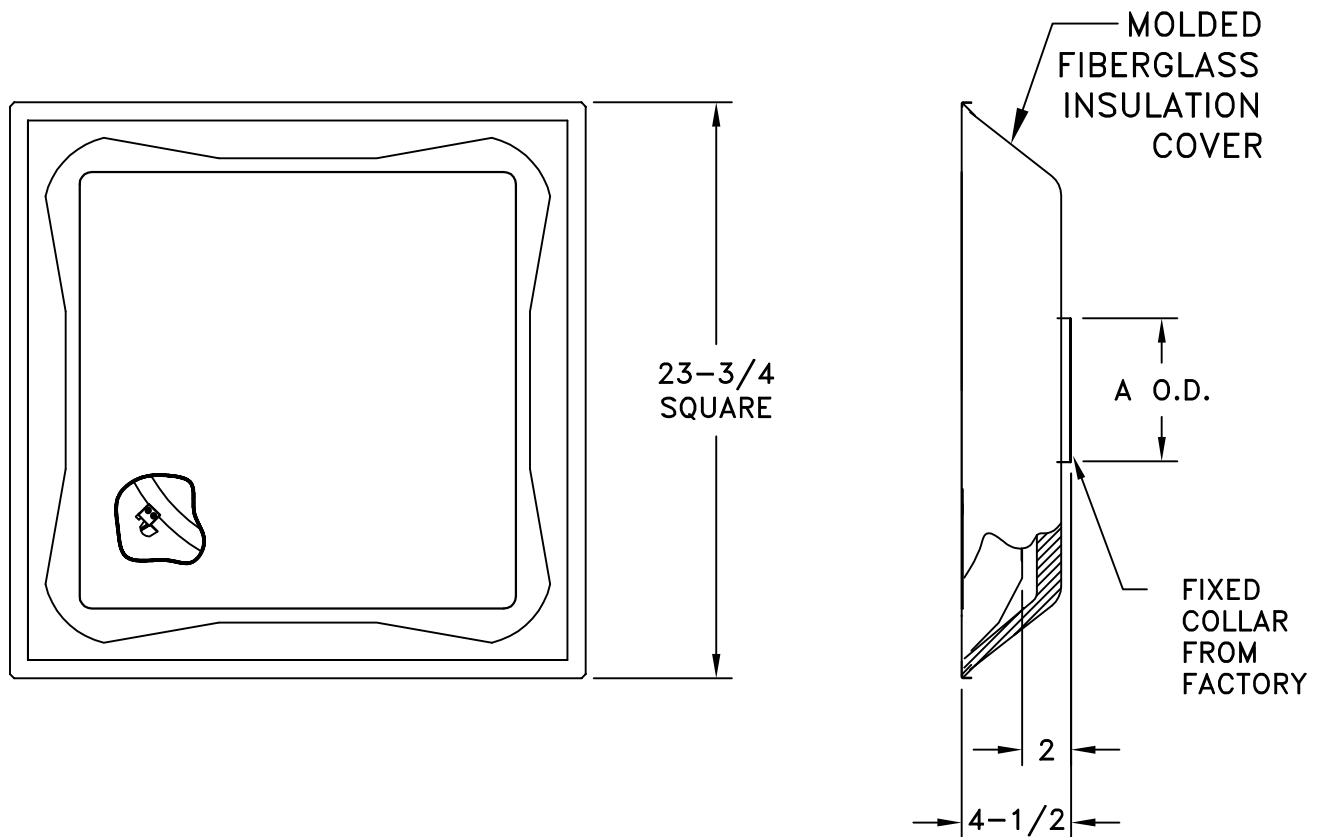


MODEL 1590

INSULATED DETACHABLE PLATE DIFFUSER

4-WAY DEFLECTION

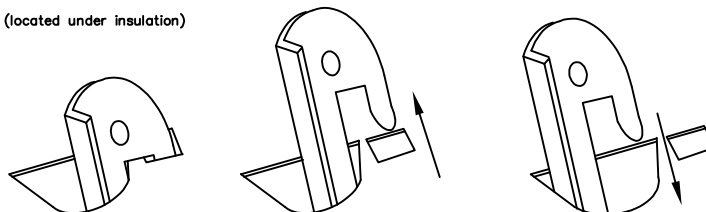
STANDARD INDUSTRY TOLERANCES APPLY. SPECIFICATIONS SUBJECT TO CHANGE WITHOUT NOTICE.



REMOVING FACE PLATE:

1. REMOVE BLACK PUSH PINS FROM HOOKS.
2. PUSH THE FACE PLATE TOWARDS THE BACK PANEL. THIS WILL DIS-ENGAGE THE HOOKS FROM THE BACKSIDE PANEL SLOTS (DETAIL A).
3. ROTATE THE FACE PLATE COUNTER-CLOCKWISE AND PULL PLATE AWAY FROM BACK PANEL AND HOOKS THRU THE SLOTS.

(located under insulation)



Model 1590 is an architecturally pleasing plate style lay-in T-bar diffuser offering 360° air diffusion. It is offered in 6"-14" fixed collar sizes with optional model R-22, R-32, and R-42 round dampers available.

Furnished with a R6 molded fiberglass back to insulate the steel back panel. Steel construction and standard finish is white.

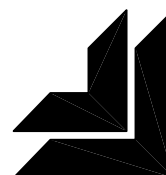
PROJECT: _____

ARCHITECT: _____

ENGINEER: _____

CONTRACTOR: _____

LOCATION: _____



J&J REGISTER
AIR DISTRIBUTION PRODUCTS