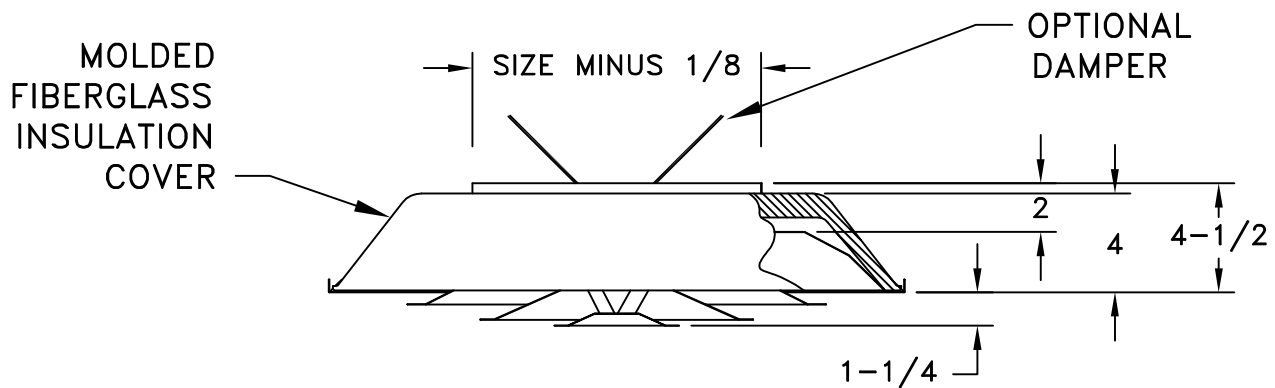
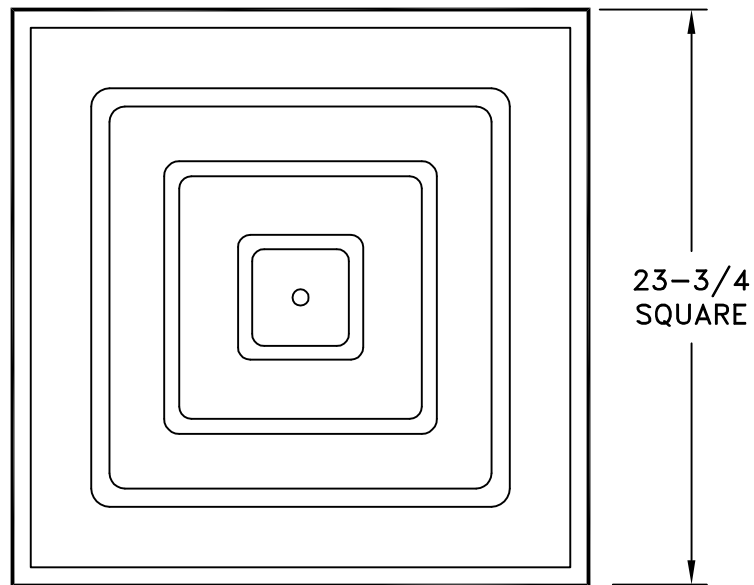


MODEL 1540

STEP DOWN CEILING DIFFUSER

4-WAY PATTERN

STANDARD INDUSTRY TOLERANCES APPLY. SPECIFICATIONS SUBJECT TO CHANGE WITHOUT NOTICE.



Model 1540 is a step down ceiling diffuser with a R-6 insulated back, a fixed core and 6" - 14" integral round neck. The Model 1540 is an excellent diffuser for variable air volume applications. This design eliminates miter joints providing an attractive appearance. The Model 1540 is available in Frame 33 - 24 x 24 face for lay-in T-bar only. For surface mount applications use with J&J Model AL10PF surface mount frame. Optional Series R-22, R-32 and R-42 round dampers available. Factory mounted R-22 available as 1540D. Steel construction. Standard finish is white.

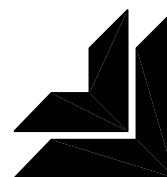
PROJECT: _____

ARCHITECT: _____

ENGINEER: _____

CONTRACTOR: _____

LOCATION: _____



J&J REGISTER
AIR DISTRIBUTION PRODUCTS