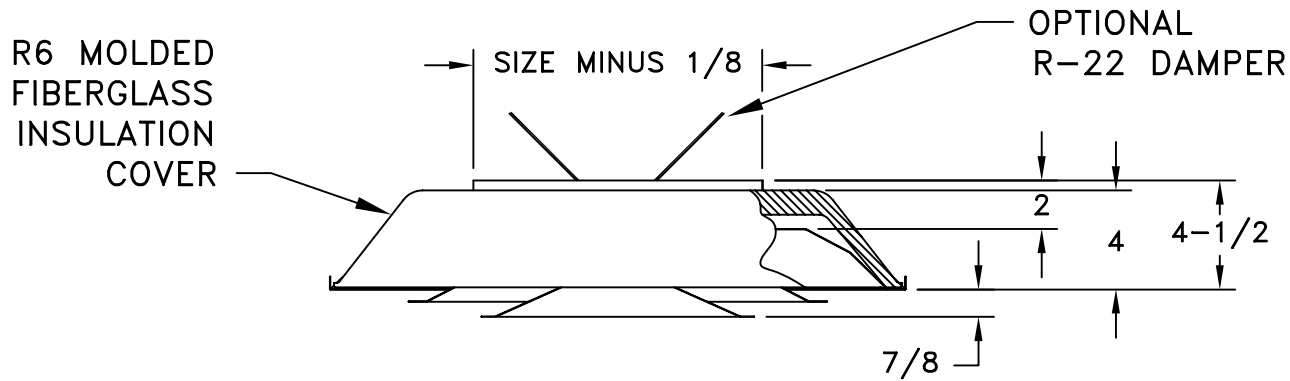
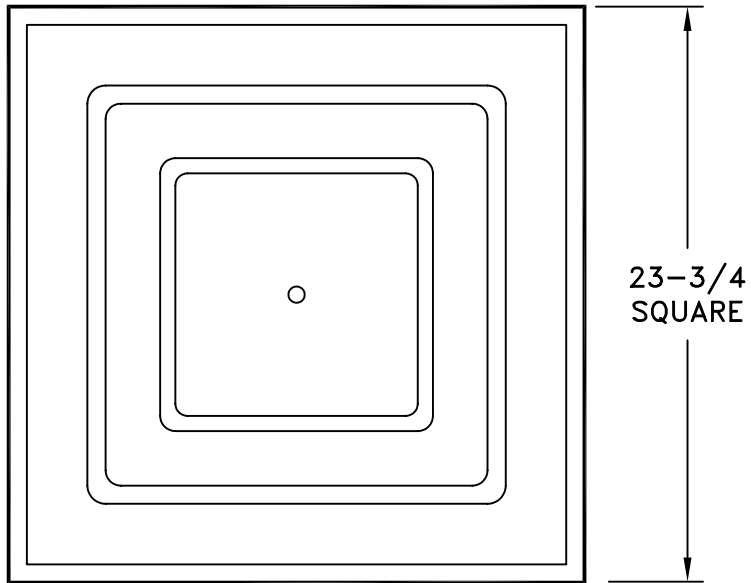


MODEL 1530

STEP DOWN CEILING DIFFUSER

4-WAY PATTERN W/MOLDED FIBERGLASS INSULATION

STANDARD INDUSTRY TOLERANCES APPLY. SPECIFICATIONS SUBJECT TO CHANGE WITHOUT NOTICE.



Model 1530 is a 2 cone step down ceiling diffuser with an R-6 insulated back, a fixed core and 6" - 14" integral round neck. This Model is an excellent diffuser for variable air volume applications. This design eliminates miter joints providing an attractive appearance. The Model 1530 is available in Frame 33 - 24 x 24 face for lay-in T-bar only. For surface mount applications use with J&J Model AL10PF surface mount frame. Optional Series R-22, R-32 and R-42 round dampers available. Steel construction. Standard finish is white.

PROJECT: _____
 ARCHITECT: _____
 ENGINEER: _____
 CONTRACTOR: _____
 LOCATION: _____

