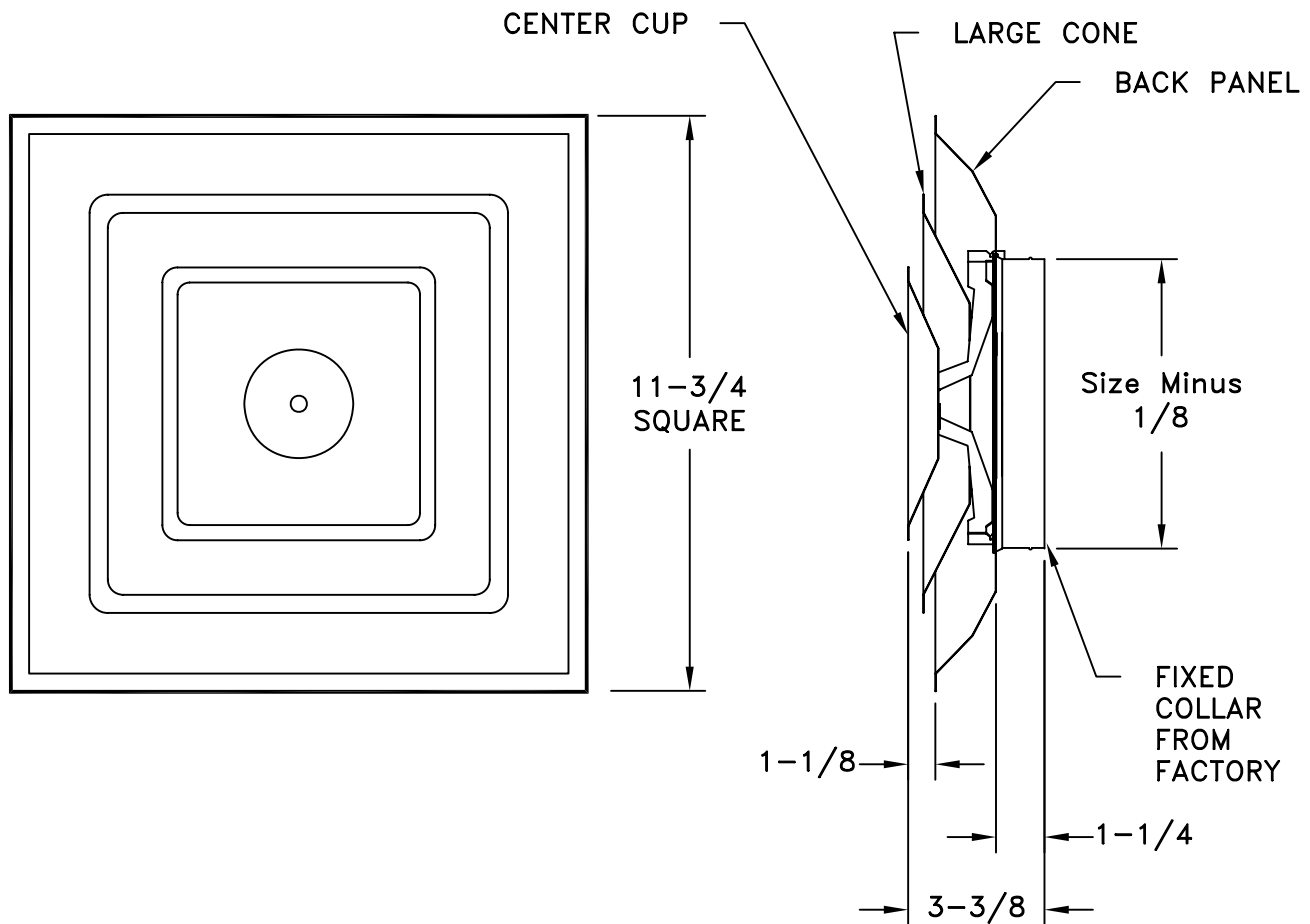


MODEL 1520-12

STEP DOWN CEILING DIFFUSER

4-WAY PATTERN

STANDARD INDUSTRY TOLERANCES APPLY. SPECIFICATIONS SUBJECT TO CHANGE WITHOUT NOTICE.



Model 1520-12 is a 2 cone step down ceiling diffuser, has a fixed core and 6" - 8" integral round neck.

Fits standard 1' x 1' t-bar ceiling systems. For surface mount applications use AL10PF 12x12 surface mount frame. Optional R-42 radial damper only
Steel construction. Finish is white.

PROJECT: _____
ARCHITECT: _____
ENGINEER: _____
CONTRACTOR: _____
LOCATION: _____



J&J REGISTER
AIR DISTRIBUTION PRODUCTS