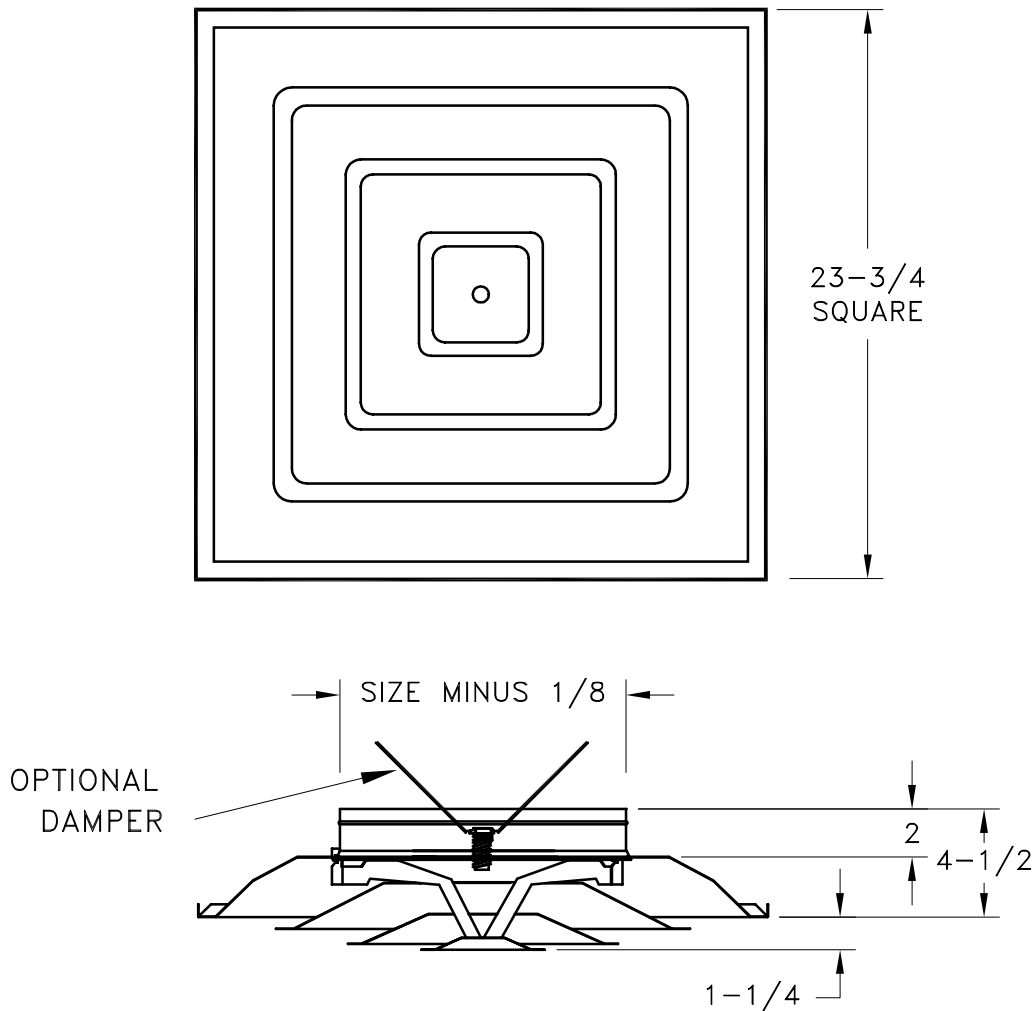


# SERIES 1500

## STAMPED FACE CEILING DIFFUSER

### 4-WAY DEFLECTION

STANDARD INDUSTRY TOLERANCES APPLY. SPECIFICATIONS SUBJECT TO CHANGE WITHOUT NOTICE.



Series 1500 is a stamped face ceiling diffuser with a fixed core and 6" - 14" integral round neck. The Series 1500 is an excellent diffuser for variable air volume applications. Its stamped construction eliminates miter joints providing an attractive appearance. The Series 1500 is available in Frame 33 - 24x24 face for lay-in T-bar only. Optional Series R-22, R-32 and R-42 round dampers available. Steel construction. Standard finish is white.

PROJECT: \_\_\_\_\_

ARCHITECT: \_\_\_\_\_

ENGINEER: \_\_\_\_\_

CONTRACTOR: \_\_\_\_\_

LOCATION: \_\_\_\_\_



**J&J REGISTER**  
AIR DISTRIBUTION PRODUCTS