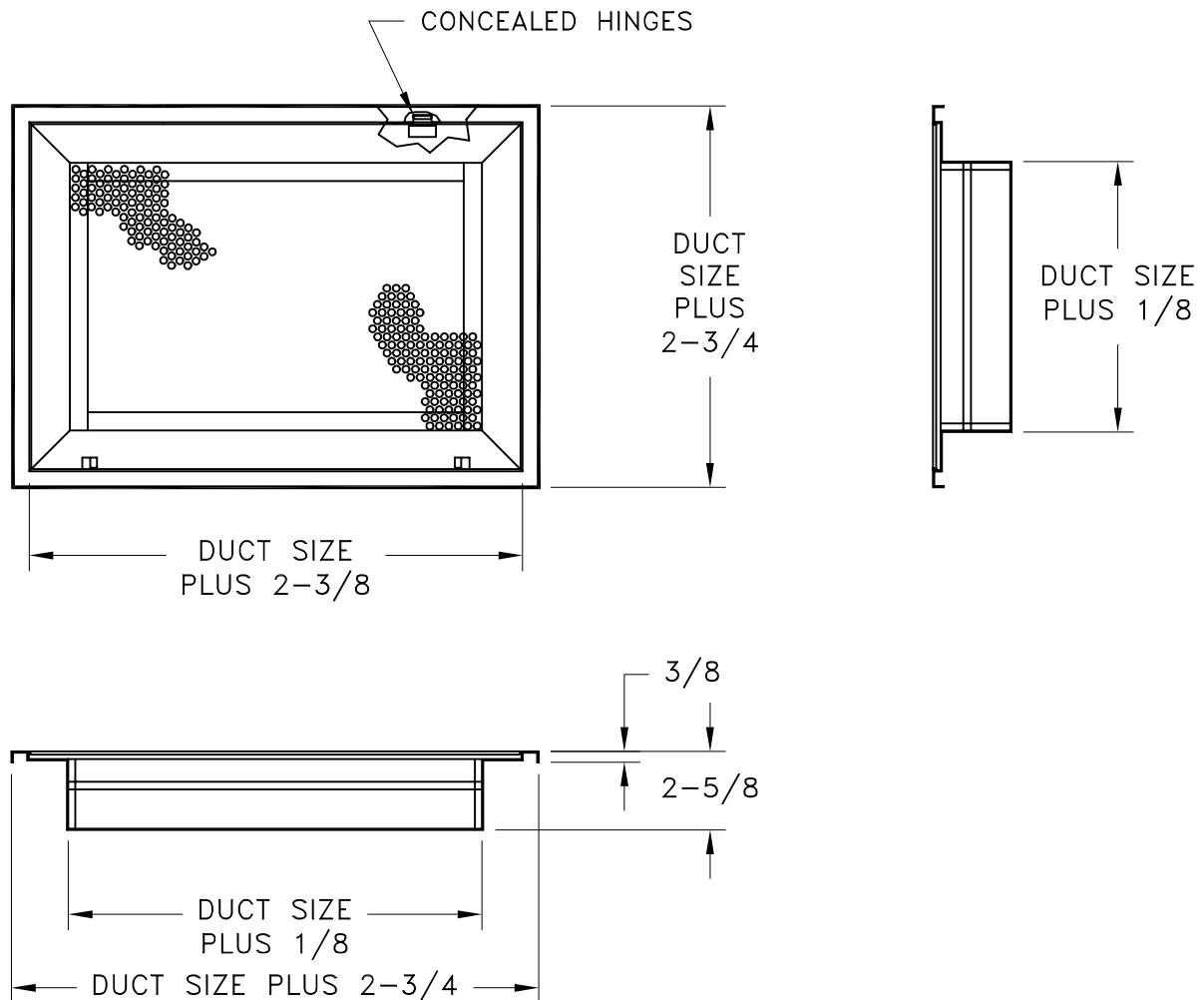


# MODEL 12P-FF

## PERFORATED RETURN WITH FILTER FRAME

STANDARD INDUSTRY TOLERANCES APPLY. SPECIFICATIONS SUBJECT TO CHANGE WITHOUT NOTICE.



Model 12P-FF is a filter frame with a perforated face for use in all types of air conditioning systems. It acts as a holder for the filter or as an access opening into smaller air handling units. The perforated grille face is hinged parallel to the horizontal dimension unless otherwise specified. The filter frame holds standard one-inch disposable filters which are furnished by others. Steel construction. Standard finish is white.

PROJECT: \_\_\_\_\_  
 ARCHITECT: \_\_\_\_\_  
 ENGINEER: \_\_\_\_\_  
 CONTRACTOR: \_\_\_\_\_  
 LOCATION: \_\_\_\_\_



**J&J REGISTER**  
 AIR DISTRIBUTION PRODUCTS