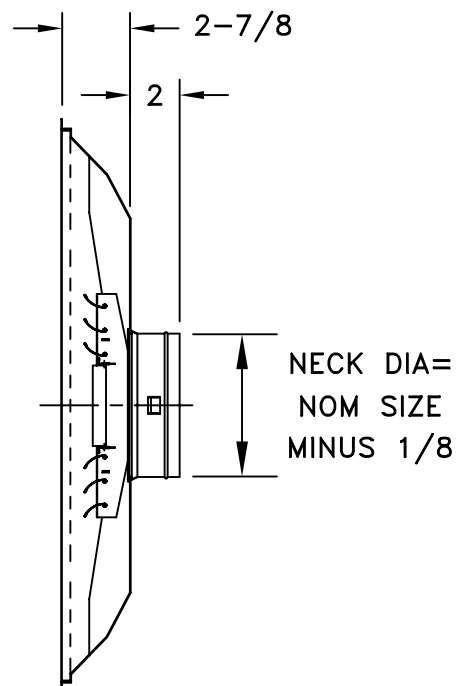
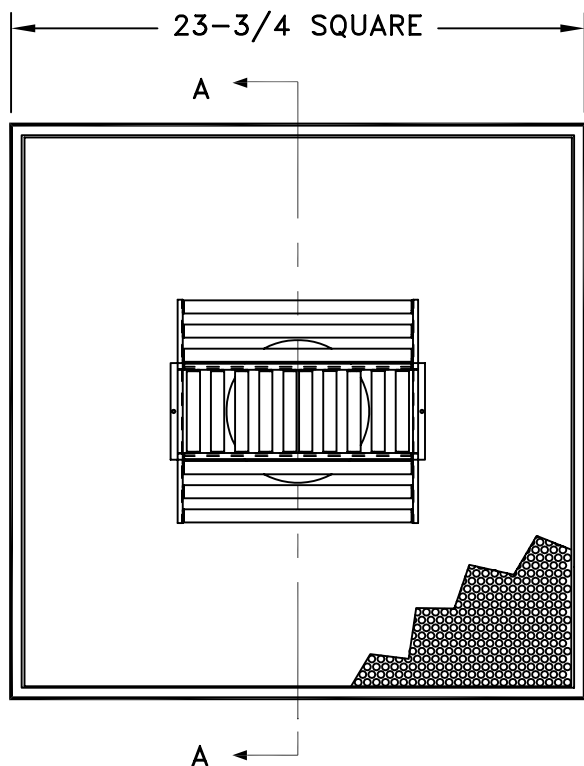


MODEL 1234

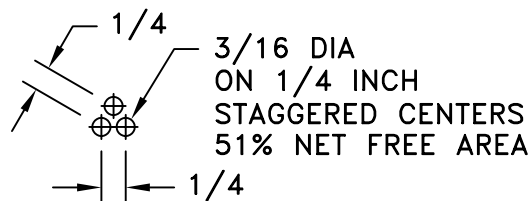
REMOVABLE FACE

PERFORATED SUPPLY

STANDARD INDUSTRY TOLERANCES APPLY. SPECIFICATIONS SUBJECT TO CHANGE WITHOUT NOTICE.



FACE DETAIL



Model 1234 diffusers have a removable, hinged, perforated face plate to allow access to individually adjustable pattern deflectors. Factory set at four way, they can be field adjusted for one, two and three way patterns. Earthquake tabs are optional. Standard finish is white.

PROJECT: _____

ARCHITECT: _____

ENGINEER: _____

CONTRACTOR: _____

LOCATION: _____



J&J REGISTER
AIR DISTRIBUTION PRODUCTS