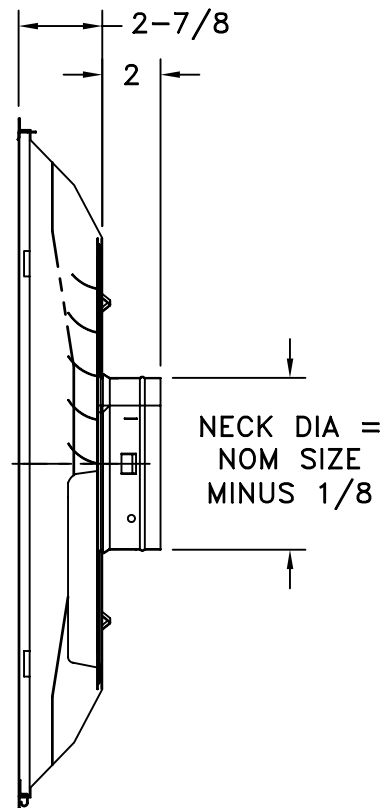
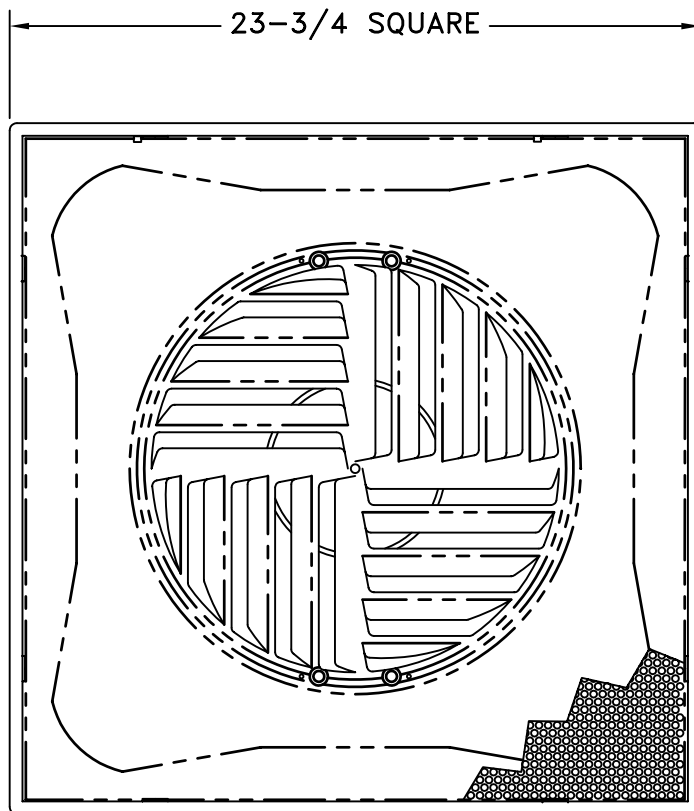


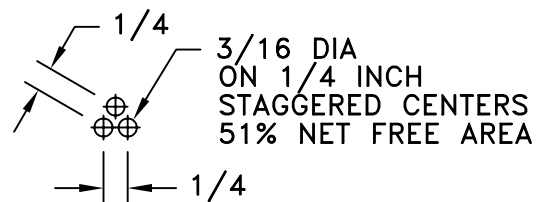
MODEL 1231

REMOVABLE FACE PERFORATED SUPPLY

STANDARD INDUSTRY TOLERANCES APPLY. SPECIFICATIONS SUBJECT TO CHANGE WITHOUT NOTICE.



FACE DETAIL



Model 1231 diffusers have a removable, hinged, perforated face and 6 through 14 inch neck diameters. Fixed curved blade pattern deflectors are factory set with a four way pattern. Earthquake tabs are optional. The model 1230 is the matching return. Standard finish is white.

PROJECT: _____

ARCHITECT: _____

ENGINEER: _____

CONTRACTOR: _____

LOCATION: _____



J&J REGISTER
AIR DISTRIBUTION PRODUCTS