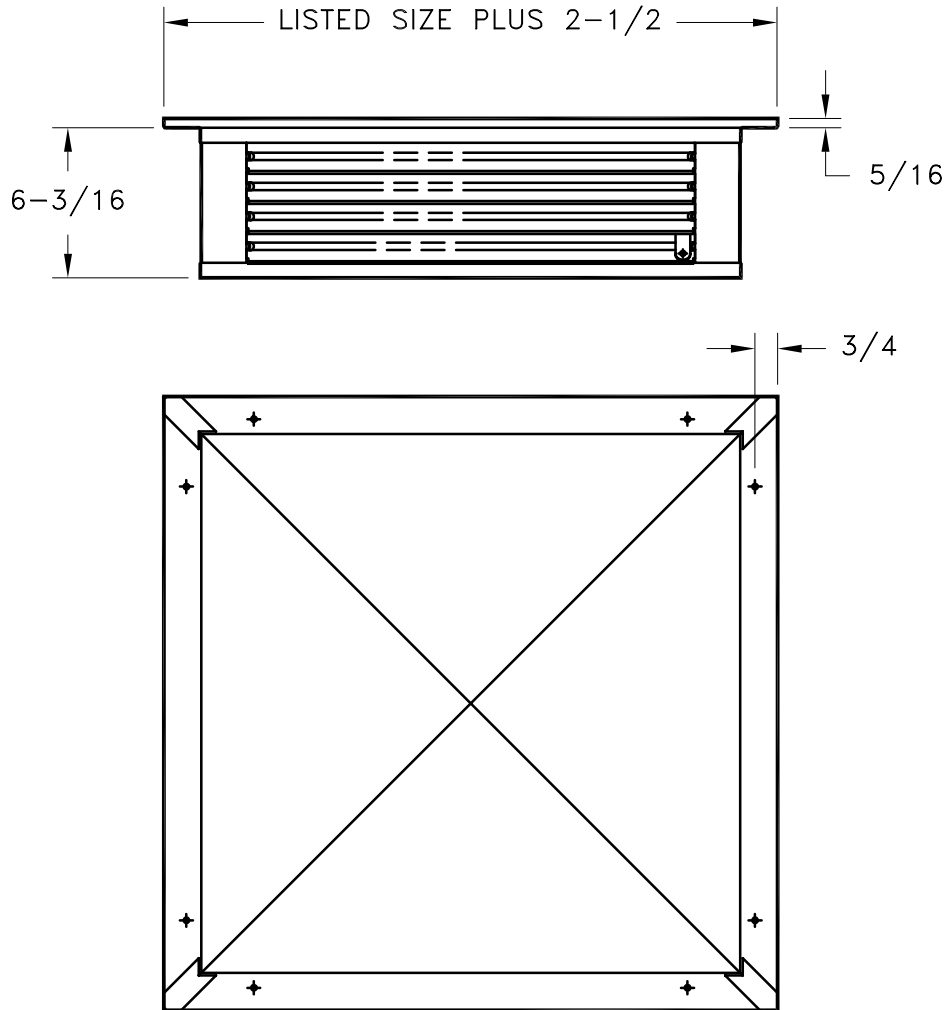


# MODEL 1150

## EVAPORATIVE COOLER DIFFUSER

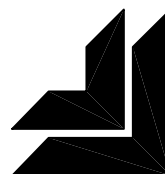
### DROP BOX

STANDARD INDUSTRY TOLERANCES APPLY. SPECIFICATIONS SUBJECT TO CHANGE WITHOUT NOTICE.



Model 1150 is a high volume diffuser for evaporative cooler application. The Model 1150 has adjustable dampers on four sides that provide directional airflow or closure capabilities. The Model 1150 is available in sizes 14 x 14, 18 x 18, 20 x 20, 22 x 22, 24 x 24, 30 x 30 and 36 x 36. For 24 x 24 T-Bar application please order as 1160. All steel heavy duty construction. Standard finish is white.

PROJECT: \_\_\_\_\_  
 ARCHITECT: \_\_\_\_\_  
 ENGINEER: \_\_\_\_\_  
 CONTRACTOR: \_\_\_\_\_  
 LOCATION: \_\_\_\_\_



**J&J REGISTER**  
AIR DISTRIBUTION PRODUCTS