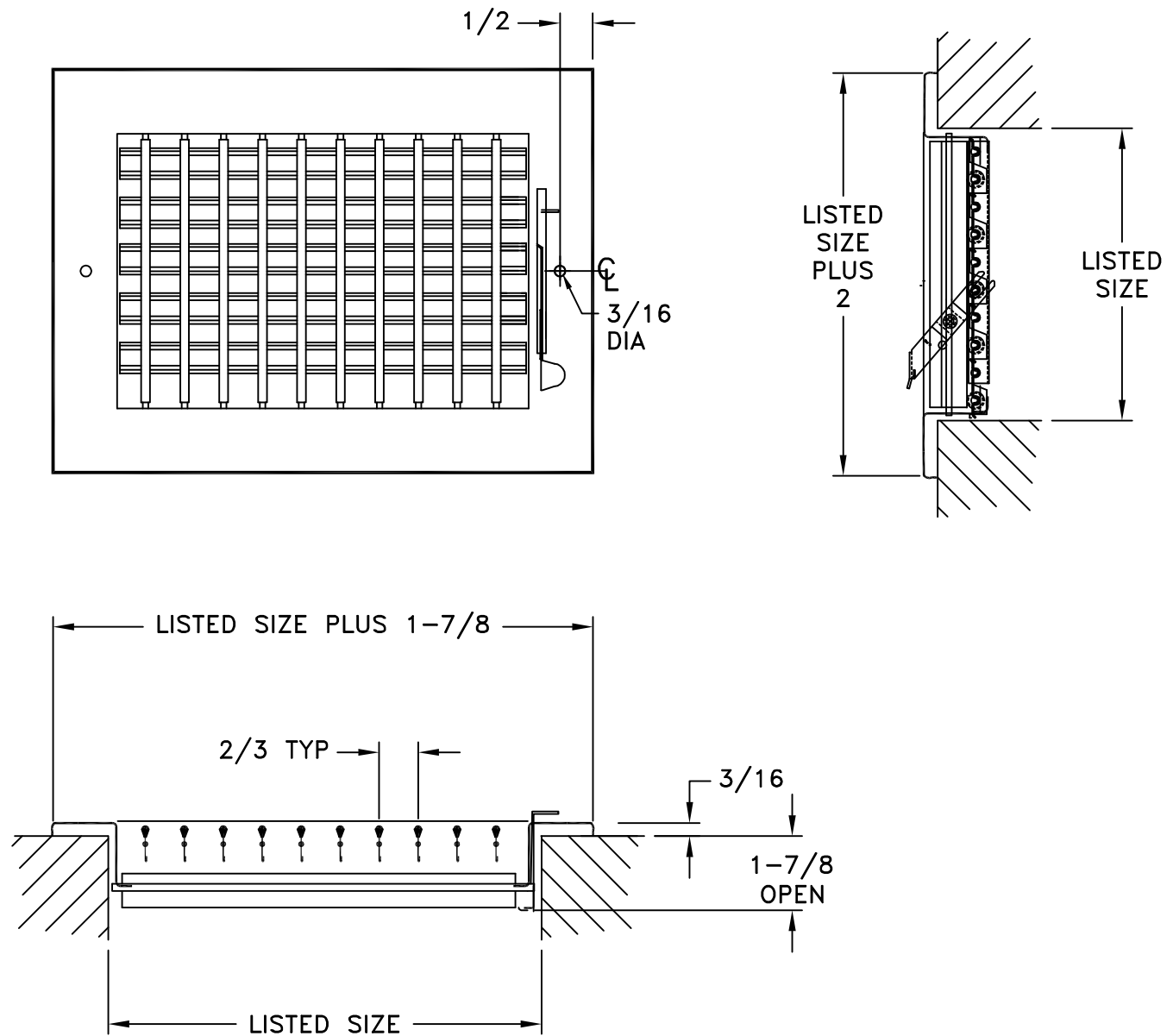


MODEL 110M

ADJUSTABLE BLADE REGISTER

STANDARD INDUSTRY TOLERANCES APPLY. SPECIFICATIONS SUBJECT TO CHANGE WITHOUT NOTICE.



Model 110M register is available with individually adjustable straight blades for deflection control. The multi-louver damper allows additional volume control. The stamped face margins eliminate mitered corners and rough edges. Steel construction. Standard finish is powder coated white.

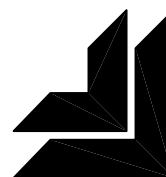
PROJECT: _____

ARCHITECT: _____

ENGINEER: _____

CONTRACTOR: _____

LOCATION: _____



J&J REGISTER
AIR DISTRIBUTION PRODUCTS