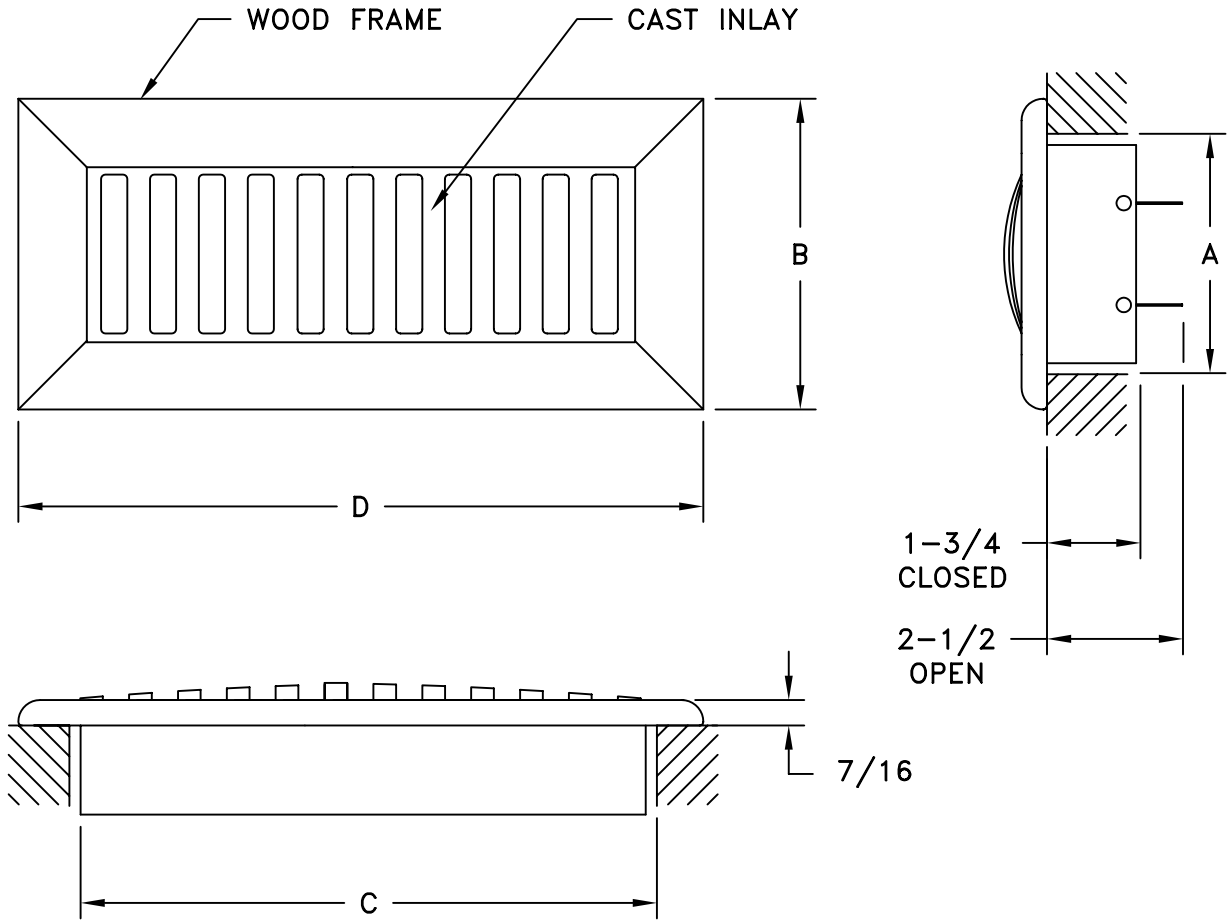


# DECORATIVE SERIES

## CAST BRASS AND WOOD INLAY

### CONTEMPORARY FLOOR REGISTER

STANDARD INDUSTRY TOLERANCES APPLY. SPECIFICATIONS SUBJECT TO CHANGE WITHOUT NOTICE.



| SIZE<br>A X C | DIMENSIONS OVERALL    |        |
|---------------|-----------------------|--------|
|               | (SEE DETAIL SKETCHES) |        |
|               | B                     | D      |
| 2 X 12        | 3-1/2                 | 13-3/8 |
| 4 X 10        | 5-1/4                 | 11-3/8 |
| 4 X 12        | 5-1/4                 | 13-3/8 |
| 4 X 14        | 5-1/4                 | 15-3/8 |

Solid wood frame with cast contemporary inlay. Level operated steel damper attached. Mahogany with satin nickel, pickled maple with brass, or cherry maple with brass finishes available.

PROJECT: \_\_\_\_\_

ARCHITECT: \_\_\_\_\_

ENGINEER: \_\_\_\_\_

CONTRACTOR: \_\_\_\_\_

LOCATION: \_\_\_\_\_



**J&J REGISTER**  
AIR DISTRIBUTION PRODUCTS