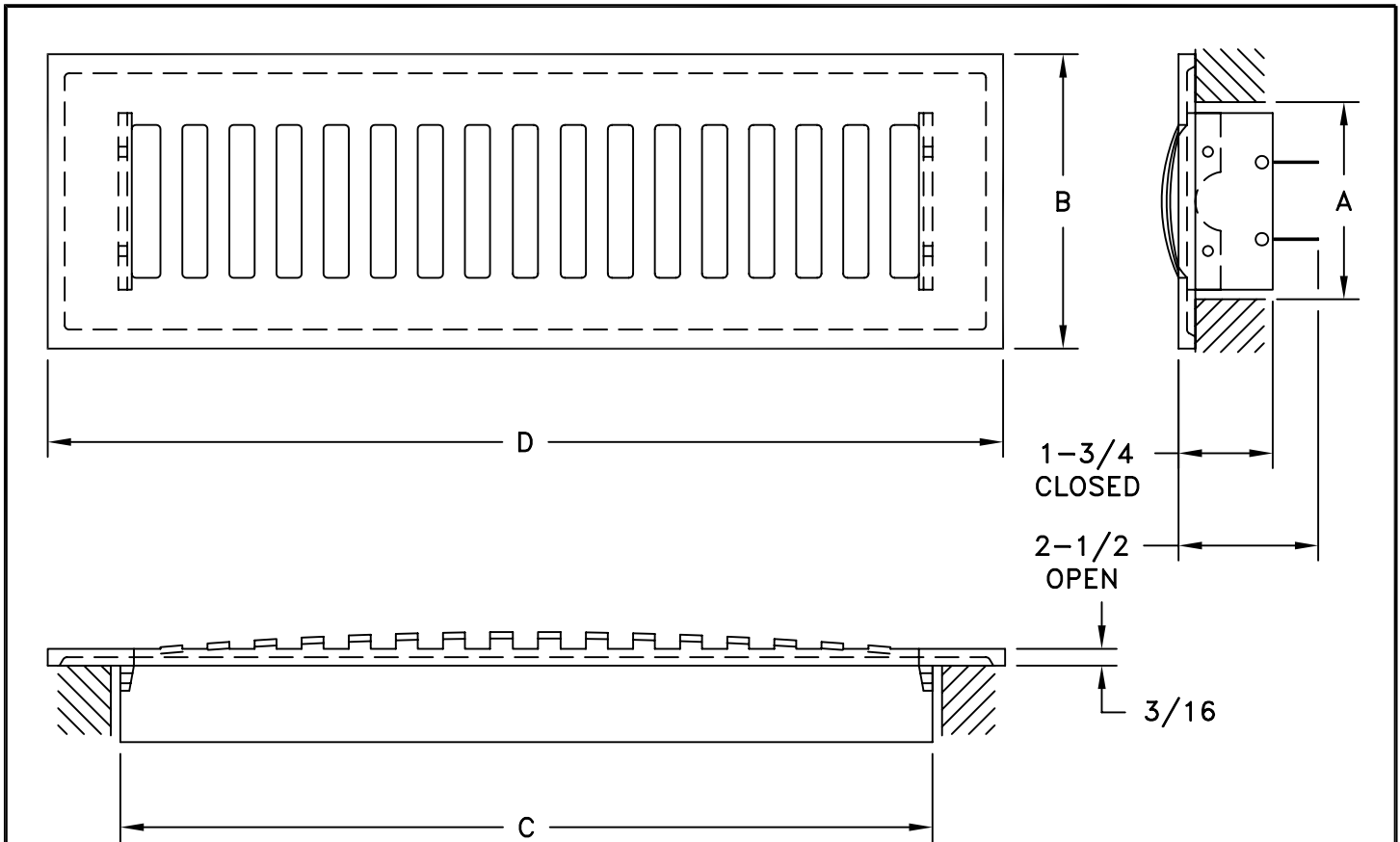


# DECORATIVE SERIES

## CAST BRASS CONTEMPORARY FLOOR REGISTER

STANDARD INDUSTRY TOLERANCES APPLY. SPECIFICATIONS SUBJECT TO CHANGE WITHOUT NOTICE.



SIZE A X C	DIMENSIONS OVERALL (SEE DETAIL SKETCHES)	
	B	D
2 X 10	3-1/2	11-3/8
2 X 12	3-1/2	13-3/8
2 X 14	3-1/2	15-3/8
4 X 10	5-1/4	11-3/8
4 X 12	5-1/4	13-3/8
4 X 14	5-1/4	15-3/8

Contemporary cast brass construction with a lever operated steel damper. Brass, chrome, satin nickel and oil-rubbed bronze finishes available.  
(Not all sizes available in all finishes)

PROJECT: \_\_\_\_\_

ARCHITECT: \_\_\_\_\_

ENGINEER: \_\_\_\_\_

CONTRACTOR: \_\_\_\_\_

LOCATION: \_\_\_\_\_



**J&J REGISTER**  
AIR DISTRIBUTION PRODUCTS