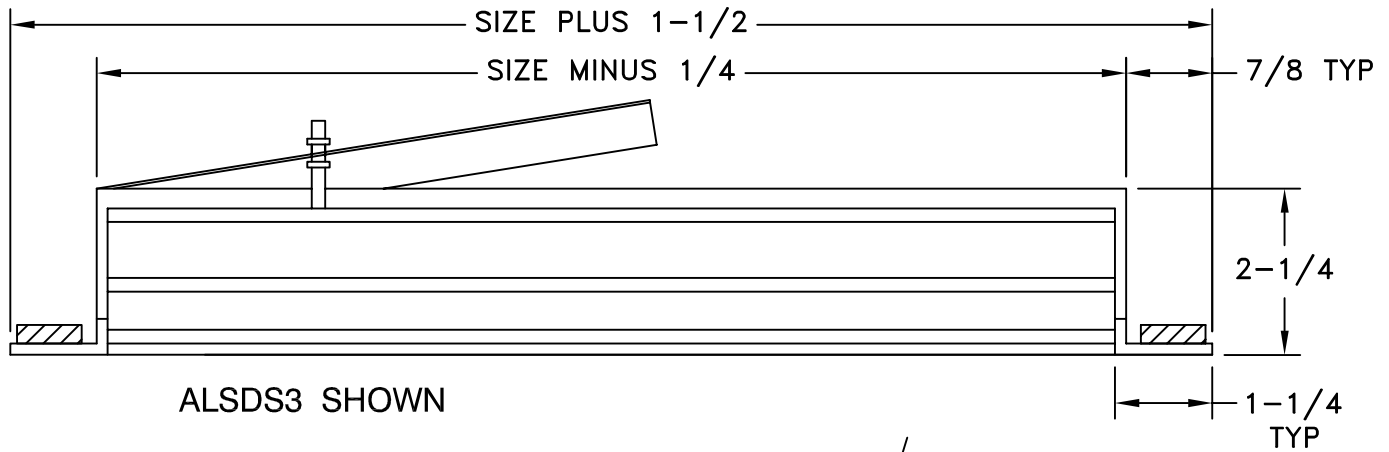


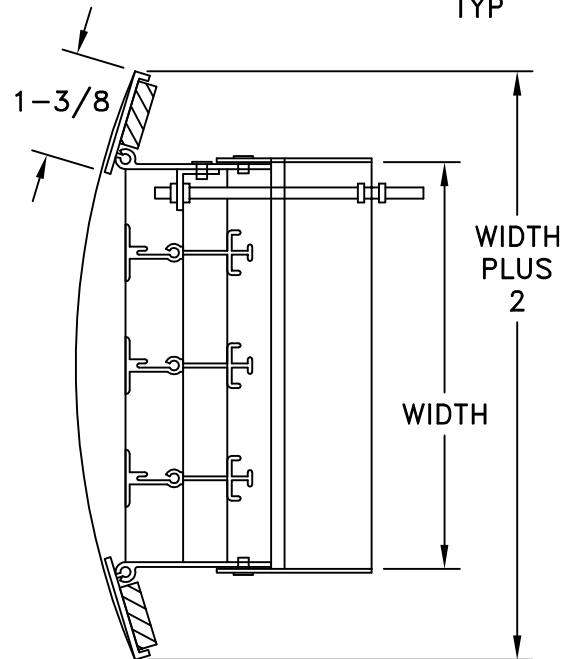
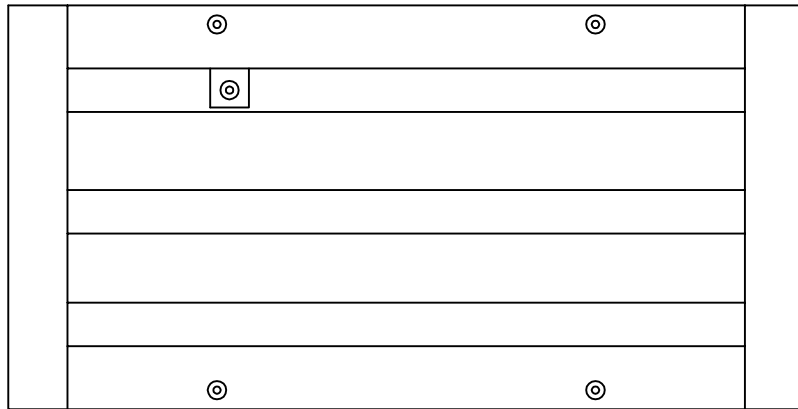
MODEL ALSDS

ALUMINUM SPIRAL DUCT SLOT DIFFUSER

STANDARD INDUSTRY TOLERANCES APPLY. SPECIFICATIONS SUBJECT TO CHANGE WITHOUT NOTICE.



ALSDDS3 SHOWN



SLOT WIDTH	WIDTH/MINIMUM DUCT DIAMETER			
	NUMBER OF SLOTS			
	1	2	3	4
50 (1/2")	1.75/6	3.00/8	4.25/12	5.50/16
75 (3/4")	2.00/6	3.50/10	5.00/14	6.50/22
10 (1")	2.25/6	4.00/12	5.75/16	7.50/28

Maximum duct diameter is 36"

Model ALSDS is a spiral duct slot diffuser. The ALSDS is available in 6 - 48 inch lengths in increments of 6 inches. Units are gasketed on margin and available in 1 - 4 slots with a choice of 1/2, 3/4 and 1 inch slot widths. Optional Air Scoop with face screw adjustment is available. Installs directly in to spiral duct, no saddle is needed. Extruded aluminum construction. Finishes are White or Clear Anodized.

PROJECT: _____

ARCHITECT: _____

ENGINEER: _____

CONTRACTOR: _____

LOCATION: _____



J&J REGISTER
AIR DISTRIBUTION PRODUCTS