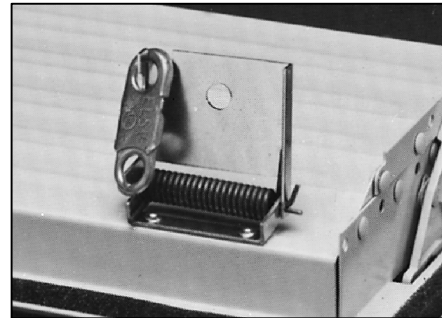
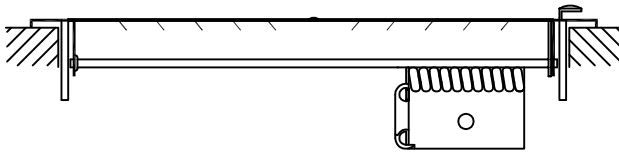
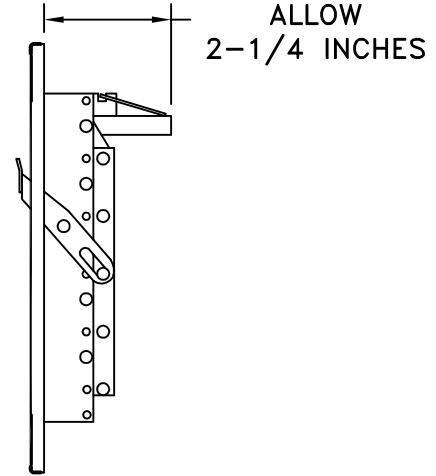
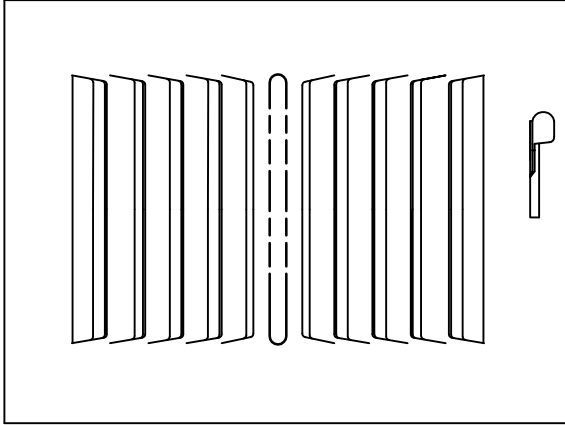


FUSIBLE LINK MFL

STEEL MULTI-LOUVER DAMPER

STANDARD INDUSTRY TOLERANCES APPLY. SPECIFICATIONS SUBJECT TO CHANGE WITHOUT NOTICE.



The J&J factory installed fusible link damper will close at 165 degrees F. This product is available on select registers with multi-louver dampers. Allow a minimum of 2-1/4 inches behind the mounting surface for proper fusible link operation.

The fusible link damper assemblies are NOT U.L. listed fire or smoke dampers.

PROJECT: _____
ARCHITECT: _____
ENGINEER: _____
CONTRACTOR: _____
LOCATION: _____

