

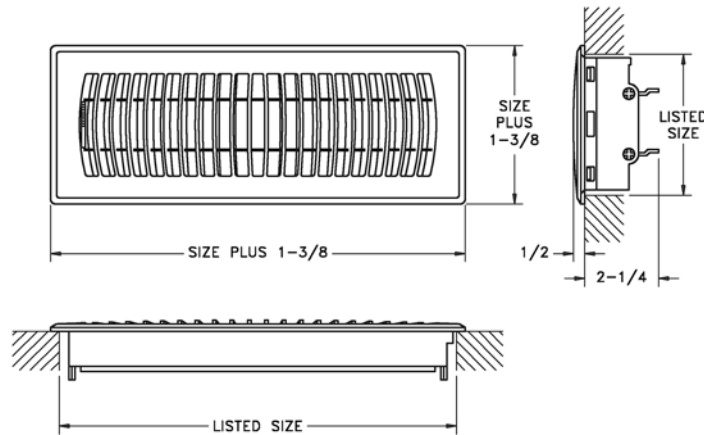
Model RZ800

Plastic Floor Diffuser

Design — Model RZ800 is part of the Rezzin™ offering.

Features — Two-way air throw. Multi-angled fins for fan pattern of air distribution. Foot-operated, opposed-blade damper.

Construction — Engineered polymer. Solid ABS construction for floor use. Brown or Bright White finish.



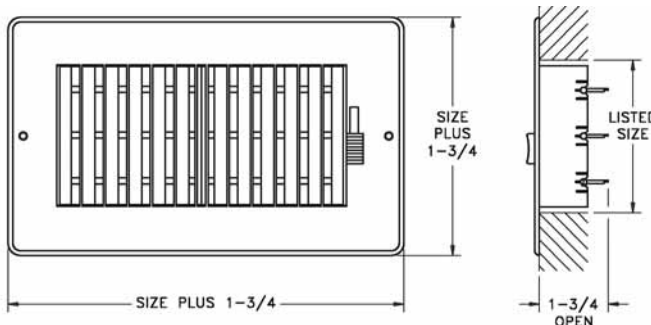
Model RZ602

Plastic Sidewall/Ceiling Register

Design — Model RZ602 is part of the Rezzin™ offering.

Features — Two-way deflection. Integral multi-louver damper with easy-to-use damper handle.

Construction — Engineered polymer. Bright White finish.





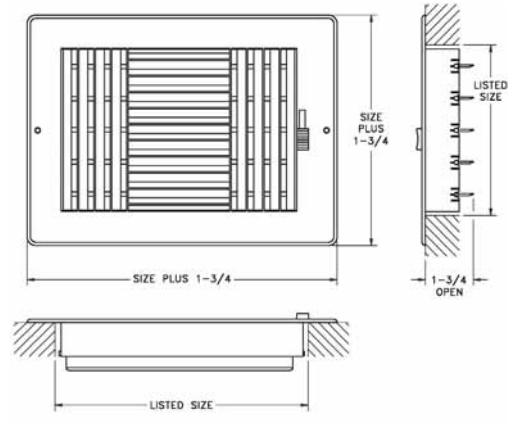
Model RZ603

Plastic Sidewall/Ceiling Register

Design — Model RZ603 is part of the Rezzin™ offering.

Features — 3-way deflection. Integral multi-louver damper with easy-to-use damper handle.

Construction — Engineered polymer. Bright White finish.



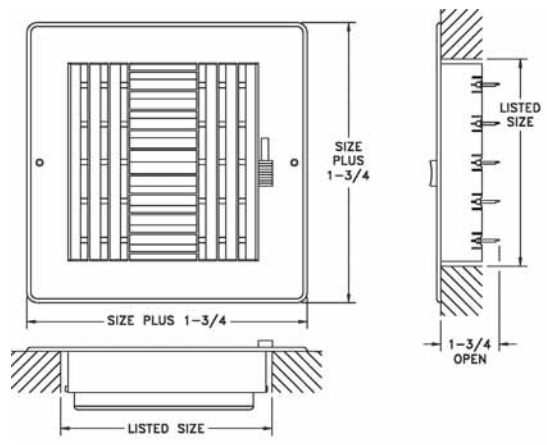
Model RZ604

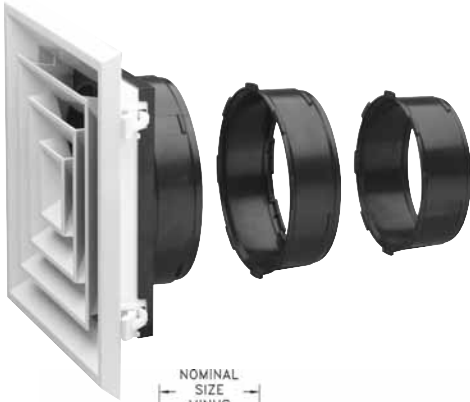
Plastic Sidewall/Ceiling Register

Design — Model RZ604 is part of the Rezzin™ offering.

Features — Four-way deflection. Integral multi-louver damper with easy-to-use damper handle.

Construction — Engineered polymer. Bright White finish.





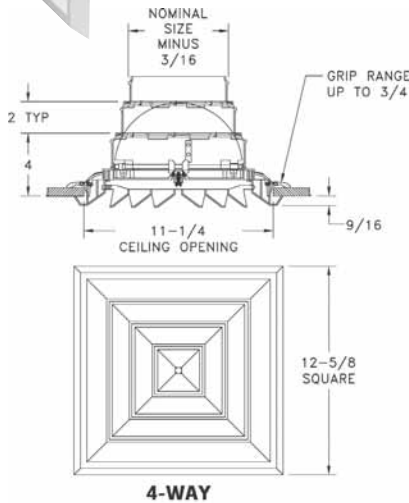
RZ163



RZ164



RZ165



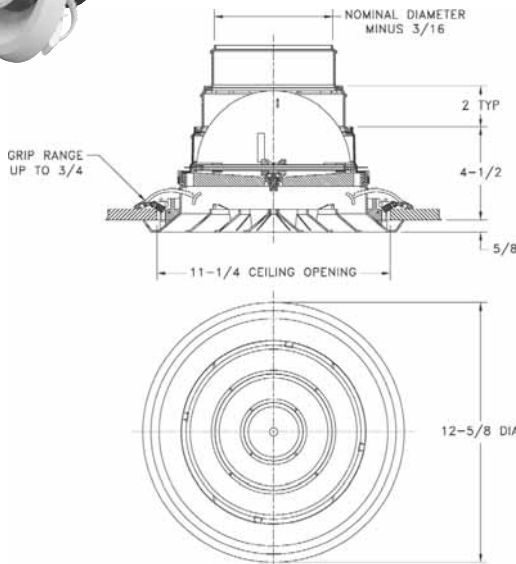
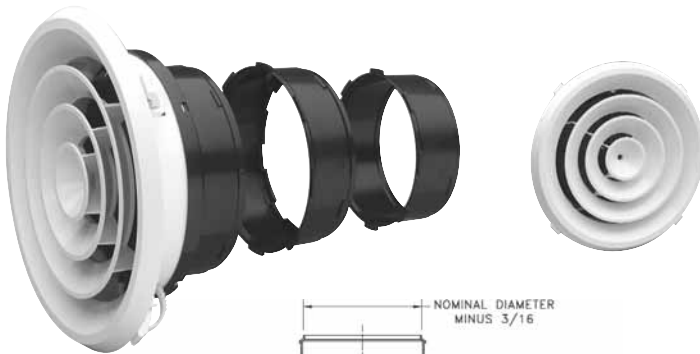
Model RZ160

Plastic Square Ceiling Diffuser

Design — Model RZ160 is part of the Rezzin™ offering.

Features — Available in four-way, three-way and two-way corner. 6", 7" and 8" collars included. Installs without screws using ratcheting cam lock. Includes removable core and integral damper.

Construction — Engineered polymer. Bright White finish. Contains metal parts.



Model RZ150

Plastic Round Ceiling Diffuser

Design — Model RZ150 is part of the Rezzin™ offering.

Features — 12" round face. 6", 7" and 8" collars included. Installs without screws using ratcheting cam lock. Includes removable core and integral damper.

Construction — Engineered polymer. Bright White finish. Contains metal parts.



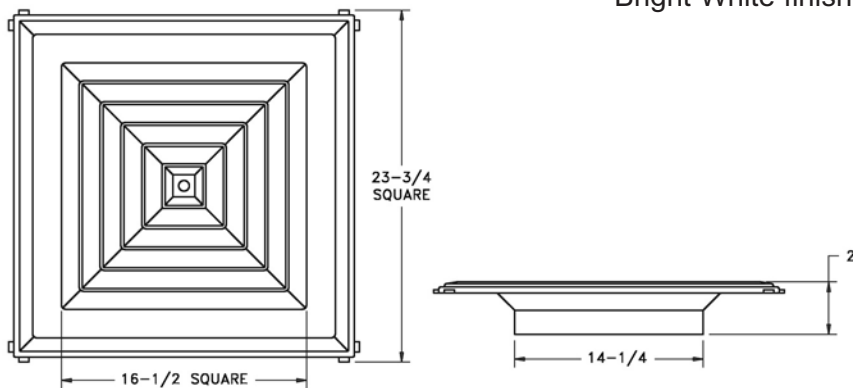
Model RZ1400

Plastic T-Bar Directional Diffuser

Design — Model RZ1400 is part of the Rezzin™ offering.

Features — Four-way deflection. Available with RZRNA square-to-round neck adapter, ordered separately.

Construction — Engineered polymer. Bright White finish. Contains metal screws.



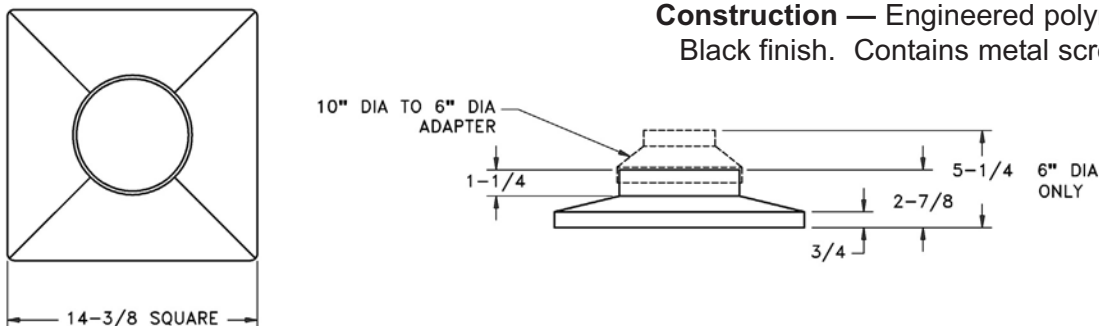
Model RZRNA

Plastic Square-to-Round Neck Adapter

Design — Model RZRNA is an engineered polymer, square-to-round transition for use with RZ1400.

Features — Allows flex duct installation with square neck diffusers. Can use R42 damper.

Construction — Engineered polymer. Black finish. Contains metal screws/clips.





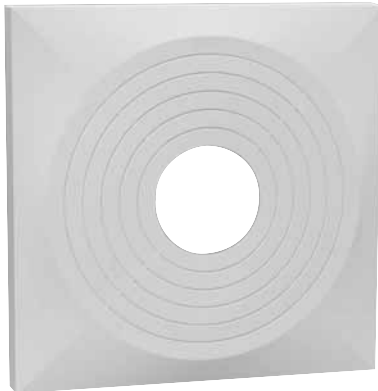
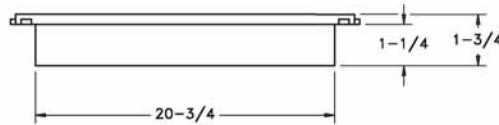
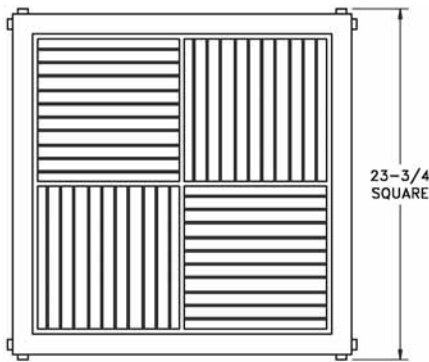
Model RZ1444

Plastic T-Bar Modular Core Diffuser

Design — Model RZ1444 is part of the Rezzin™ offering.

Features — Modular cores provide one-, two-, three- or four-way horizontal air patterns. Removable modules provide easy access to accessories. Available with RZPL back panel to accommodate 6" through 16" collars, ordered separately.

Construction — Engineered polymer. Bright White finish.



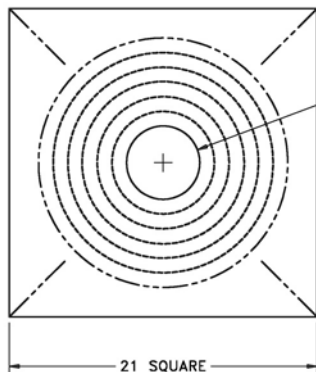
Model RZPL

Plastic Back Panel

Design — Model RZPL is an engineered polymer back panel for use with RZ1444.

Features — 6" diameter hole with scored concentric rings in 2" increments for easy installation.

Construction — Engineered polymer. Bright White finish.



6" DIA HOLE WITH CONCENTRIC SCORED RINGS IN 2" INCREMENTS TO 16" DIA

