

Model TLC

Installation Instructions

Shielding Insulation Wrap (TLCSI)

**PLEASE READ ALL INSTRUCTIONS BEFORE BEGINNING YOUR INSTALLATION.
FAILURE TO INSTALL THIS COMPONENT IN ACCORDANCE WITH ALL INSTRUCTIONS
WILL VOID THE CONDITIONS OF CERTIFICATION AND THE MANUFACTURERS WARRANTY.
KEEP THESE INSTRUCTIONS IN A SAFE PLACE FOR FUTURE REFERENCE.**

The TLCSI is installed to stop cold air infiltration into the dwelling. The TLCSI can only be installed in conjunction with an installation of a wall thimble, attic insulation shield, or the cathedral ceiling support for Model TLC chimney.

Model TLC is tested to: UL 103 Type HT
UL 127
CAN/ULC-S604
CAN/ULC-S610
CAN/ULC-S629



Required Cut Length	
Chimney Size	Length (L) in inches
5	31½
6	34½
7	37¾
8	41

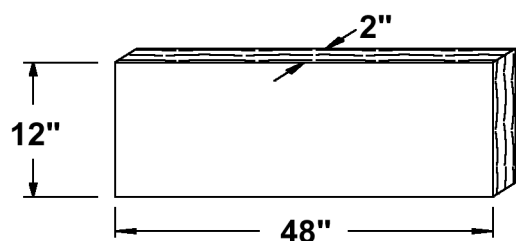


Figure 1 - Dimensions of the TLCSI

INSTALLATION PROCEDURES

Attic Insulation Shield

The TLCSI is placed between an insulated chimney length(s) and the inside of the attic insulation shield, fitted snugly to its beveled upper portion. The 2" thick insulation is cut to the appropriate length determined, as shown in the **Required Cut Length** table, and cut to the desired width determined by the installed attic insulation shield (see Figure 2). The TLCSI insulation can also be placed into the joist shield portion of the attic insulation shield (shown in Figure 2).

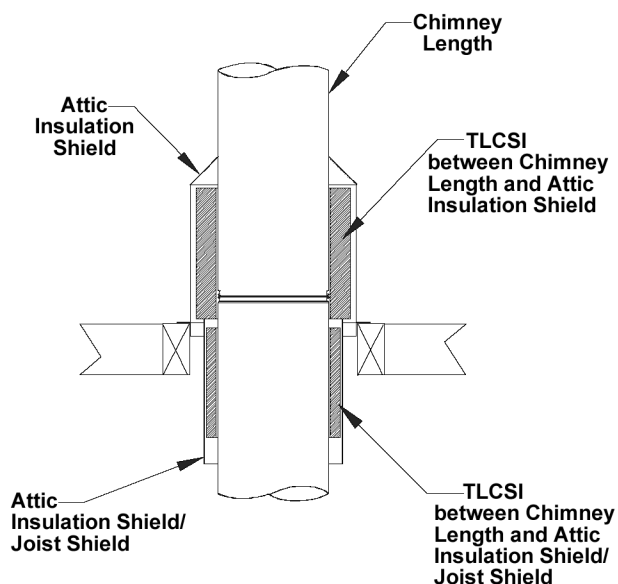


Figure 2 - Attic Insulation Shield/Joist Shield Installation

WARNING: A MAJOR CAUSE OF CHIMNEY-RELATED FIRES IS FAILURE TO MAINTAIN REQUIRED CLEARANCES (AIRSPACES) TO COMBUSTIBLE MATERIALS. REFER TO CHIMNEY INSTALLATION INSTRUCTIONS PACKAGED WITH CHIMNEY SUPPORT FOR DETAILED INSTRUCTIONS ON CHIMNEY INSTALLATION.

Wall Thimble

Cut a piece of TLCSI to $41\frac{3}{16}$ " by $4\frac{3}{4}$ ". Once the insulation has been cut to the appropriate size, the thickness of the insulation needs to be cut in half, resulting in two equal parts of 1" each in thickness (see Figure 3). Place one-half of the insulation around the outside of the inner half of the wall thimble, and one-half of the insulation inside of the outer half, as per Figure 4. See separate installation instructions packaged with the wall support for the installation of the wall thimble.

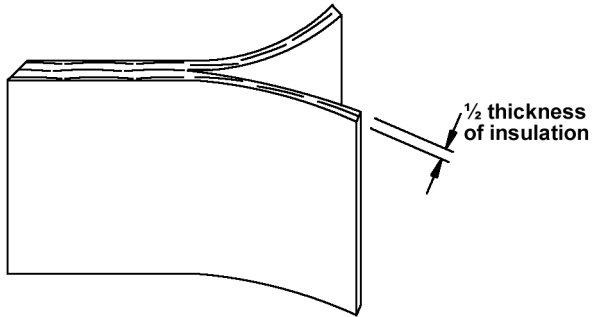


Figure 3 - TLCSI shown cut in half

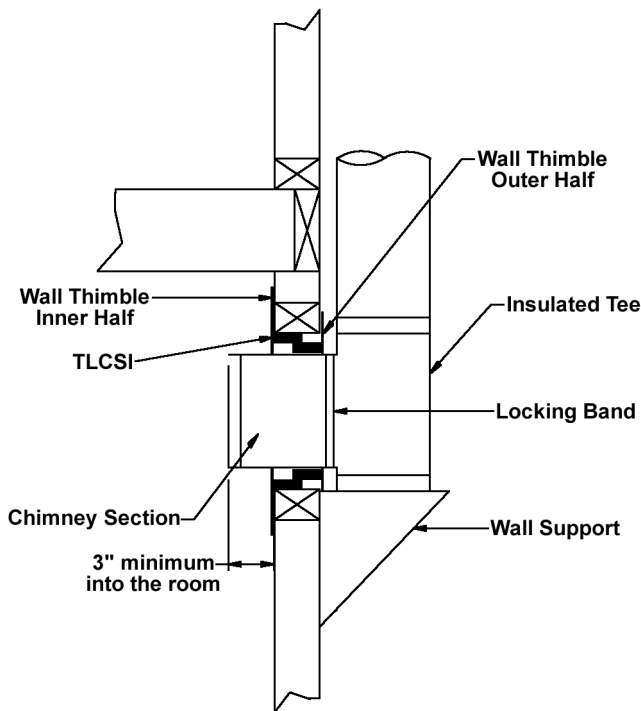


Figure 4 - Wall Thimble showing insulation in place

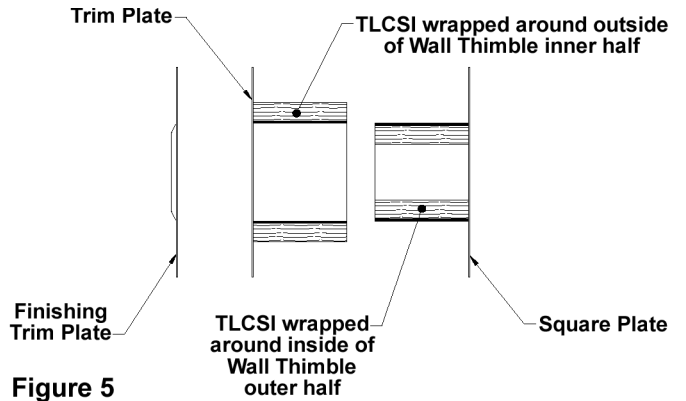


Figure 5

Cathedral Ceiling Support

The TLCSI is wrapped between the chimney section and the cathedral ceiling support, as shown in Figure 6. The wrapped insulation may be placed directly to the underside of the roof. Cut the TLCSI to the required width determined as shown in the **Required Cut Length** table.

An installation length in excess of 12" will require additional TLCSI. The corner voids of the cathedral ceiling support may be filled using the remaining insulation.

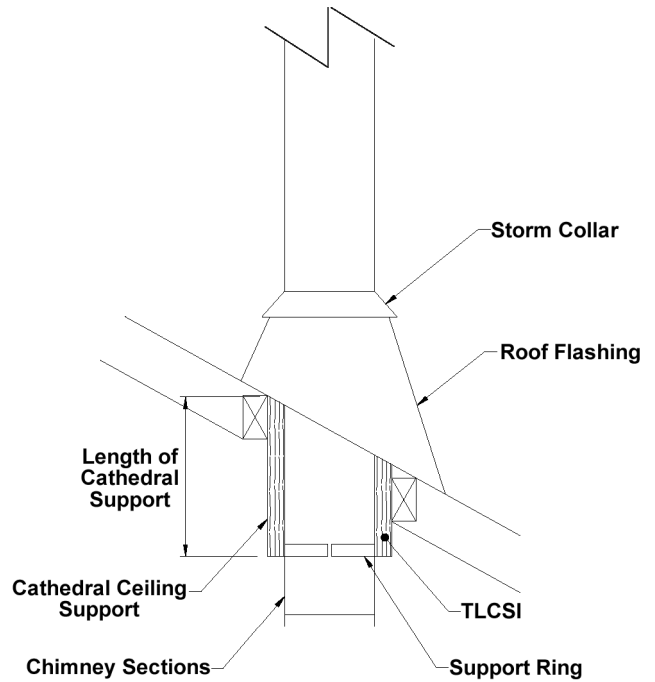


Figure 6 - Cathedral Ceiling Support with TLCSI



Hart & Cooley, Inc. 616.656.8200 p
 5030 Corporate Exchange Blvd. SE 616.656.6399 f
 Grand Rapids, MI 49512
 info@hartcool.com
 www.hartandcooley.com