

Installation & Maintenance Instructions



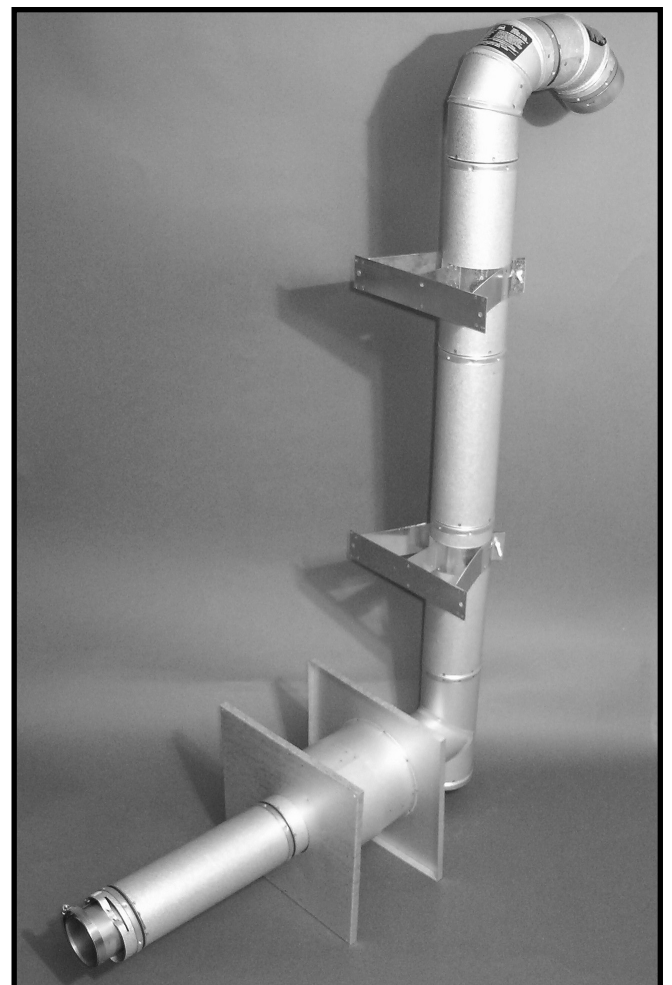
Listed & Tested to
UL641, ULC-S609, ULC/ORD C441

AMERIVENT® Model PVP Pellet Pipe Plus

Vent Connector for Pellet-Fuel Appliances

A MAJOR CAUSE OF VENT-RELATED FIRES IS FAILURE TO MAINTAIN REQUIRED CLEARANCES (AIRSPACES) TO COMBUSTIBLE MATERIALS. IT IS OF UTMOST IMPORTANCE THAT AMERIVENT PELLET VENT PLUS BE INSTALLED ONLY IN ACCORDANCE WITH THESE INSTRUCTIONS.

PLEASE READ ALL INSTRUCTIONS BEFORE BEGINNING YOUR INSTALLATION. FAILURE TO INSTALL THIS SYSTEM IN ACCORDANCE WITH THESE INSTRUCTIONS WILL VOID THE CONDITIONS OF CERTIFICATION AND THE MANUFACTURER'S WARRANTY. KEEP THESE INSTRUCTIONS IN A SAFE PLACE FOR FUTURE REFERENCE.



AmeriVent Model PVP Pellet Pipe Plus Installation Instructions



AmeriVent Pellet Pipe Plus is listed to UL-641 for Type L Low-Temperature Venting Systems, as well as listed to Canadian Standards ULC-S609 for Low-Temperature Vents Type L and ULC/ORD-C441 for Pellet Vents. Pellet Pipe Plus is approved for venting listed pellet stoves that do not exceed flue temperatures of 570°F.

Planning and Layout

1. The minimum clearance required between the vent and combustible material is 1 inch. Do not fill this space with insulation or any other material. The airspace is required for the safe operation of the vent.
2. Contact local building authority and your insurance provider before installation to determine if a permit and/or inspection is required.
3. If you choose to have your product professionally installed, we recommend these products be installed by professionals who are certified.
4. When locating your appliance, consider the building structure to ensure the vent will not interfere with any ceiling joists, roof rafters, wall studs, water pipes or electrical wiring. It may be easier to relocate the appliance than to rework the building structure.
5. Read the appliance installation instructions for any further layout restrictions.
6. A black ceiling support or support assembly will support up to 50 feet of vent.
7. The rain cap of a vertical (through the roof) installation must be at least 24 inches above the roofline. See Figure 3.
8. If the vent extends 5 feet or more above the roof penetration, roof brace poles and a roof brace band must be used to provide lateral support.
9. In geographical regions experiencing sustained low ambient temperatures, it is recommended to enclose exterior vents below the roofline. This should help reduce condensation, soot accumulation and poor drafting. Install the appliance with a minimum of vent exposed to the cold temperatures outside of the house envelope.
10. A vent must be enclosed in any inhabited space above the appliance. In a building other than a one- or two-family dwelling, the enclosure material shall have a fire-resistance rating at least equal to the adjacent floor or ceiling material.

11. Most pellet-burning appliances have powered exhausts and may be suitable for horizontal venting. However, a vertical vent will generally outperform a horizontal vent in exhausting flue gases.
12. To ensure a good gas tight seal for positive-pressure venting, we recommend the application of an RTV high-temperature silicone to the male collar of the joint. See Figure 1.

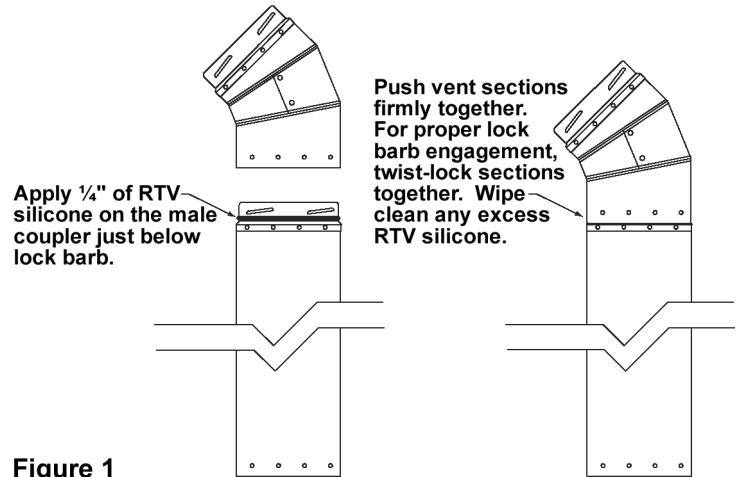


Figure 1

American Metal Products will not be held liable for any damages or losses arising out of improper care, handling, installation or use of this vent.

	Framing Dimensions	
	3" Diameter	4" Diameter
Black Ceiling Support	10" x 10"	11" x 11"
Support Assembly	10" x 10"	11" x 11"
Firestop	10" x 10"	11" x 11"
Thimble	10" x 10"	11" x 11"

1. Interior Vent Installation

- 1.1 General vent layout is shown in Figure 2.
- 1.2 Position the appliance in its desired location according to the appliance installation instructions.
- 1.3 Install an appliance connection or universal pipe adapter onto the appliances flue collar.
- 1.4 If the flue collar exits the appliance horizontally, a 90-degree elbow or tee section must be used to turn the vent vertical.

- 1.5 Use a plumb line to determine the location of vent penetration at the ceiling.
- 1.6 Cut a hole in the ceiling and frame to the appropriate opening size. See the **Framing Dimensions** table on page 2. Framing material shall be the same as that of adjacent joist material.
- 1.7 Install the black ceiling support from below the joist level, and fasten with 4 x 1.5" spiral nails or screws. See Figure 2.

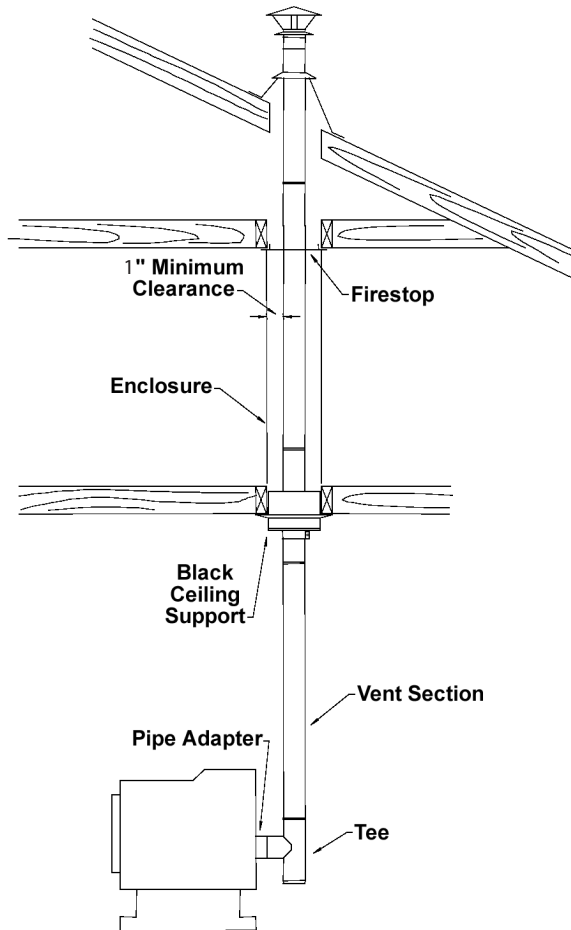


Figure 2

- 1.8 Alternatively, a support assembly may be used in place of the black ceiling support. The support assembly fits into the ceiling opening from below, and is fastened to joists with 4 x 1.5" spiral nails or screws. See Figure 3.
- 1.9 Insert the first vent section through the support, and tighten the clamp screw. Additionally, fasten the vent with four screws (maximum 1/2" long) through the support collar and into the vent skin.
- 1.10 Install the next vent section(s) above the first. We recommend to apply 1/4" bead of RTV, as per Figure 1. Twist-lock sections together with a clockwise turn. Before twisting, push vent sections firmly together for proper lock-barb engagement. Enough twisting force must be applied to ensure that the collars will compress the gasket material.

- 1.11 Firestops are required where the vent penetrates a floor or ceiling. Cut a hole of the appropriate size in the ceiling/floor, and install the firestop from above or below the joist. Fasten the firestop with nails through the corners as per Figure 2.
- 1.12 Where the vent system penetrates the air/vapor barrier, the barrier must be sealed to the ceiling joist or firestop.
- 1.13 Elbows may be used to offset the vent when it becomes necessary in order to clear a joist or rafter. Keep use of elbows to a minimum, as they reduce draft capacity of a vent.
- 1.14 Continue the vent up through the roofline.
- 1.15 Slide the flashing over the vent until it sits on the roofline. Slip the upper side of the flashing base under the roof shingles, and lay the lower side over the shingles. Nail the flashing to the roof with a minimum of 8 roofing nails. Seal the flashing base with an appropriate roofing sealant. Ensure that the required 1-inch clearance is maintained to the vent.
- 1.16 Slide the storm collar down the vent until it sits on the flashing. Apply a bead of silicone around the top of the storm collar.
- 1.17 Set the rain cap onto the top vent section and twist-lock it to the top vent section. See Figure 3.

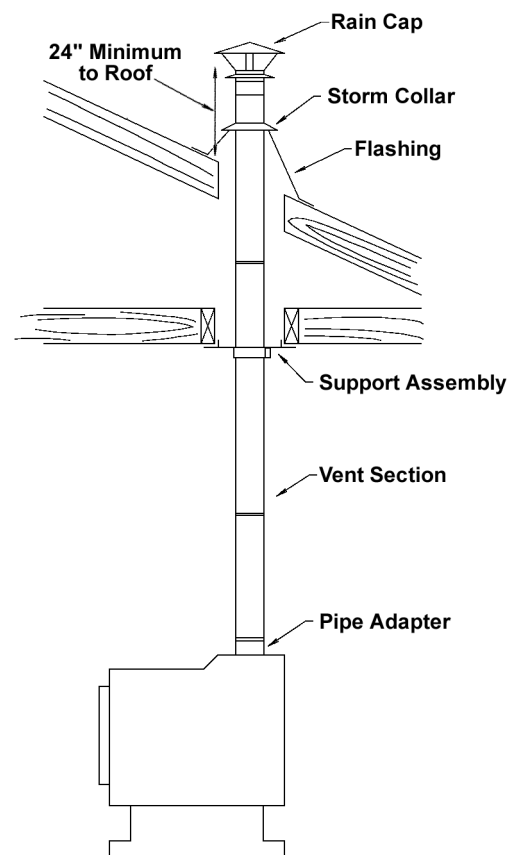


Figure 3

2. Horizontal Installation

2.1 General vent layout is shown in Figures 4 and 6. In selecting the location for the appliance and the vent, it is necessary to take into account the various local code restrictions.

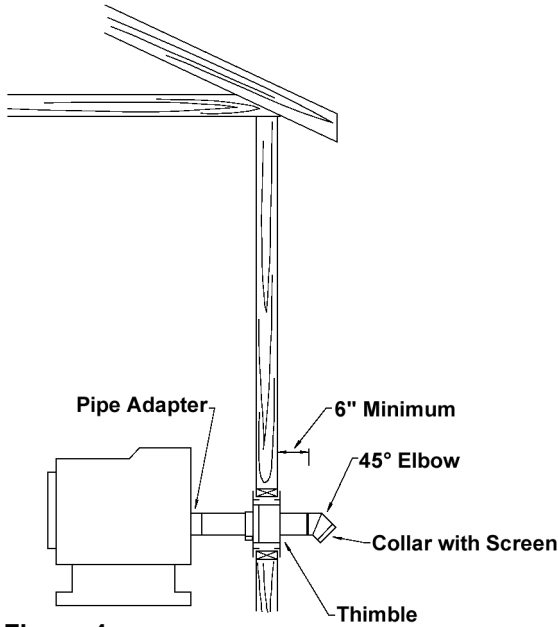


Figure 4

- 2.2 Position the appliance in the desired location and according to the appliance installation instructions.
- 2.3 Install an appliance connection or a universal pipe adapter onto the appliance's flue collar.
- 2.4 Cut a hole in the building wall of the appropriate size for the vent. See the **Framing Dimensions** table on page 2.
- 2.5 A wall thimble must be used when the vent passes through a combustible wall. The thimble splits into two sections. Install the section with the support clamp from inside the building. Install the other section from outside the building. Fasten the thimble to the wall with nails or screws at the thimble's corners. The wall thimble is to be used on walls ranging in width from 5" to 9". If a wall 9" to 18" (maximum) in thickness is to be passed through, it is permissible to field fabricate a wall thimble extension of galvanized sheet metal of 26-gauge. See Figure 5. The extension can be trimmed so that it overlaps each of the thimble sleeves by at least 1". It is to be attached to the female end (noncrimped) of the THIMBLE with three (3) sheet metal screws. Proceed with the installation as described above.

2.6 Insert the first vent section through the thimble and twist-connect its female end to the pipe adapter on the appliance.

Thimble with Extension for Walls wider but less than 18"

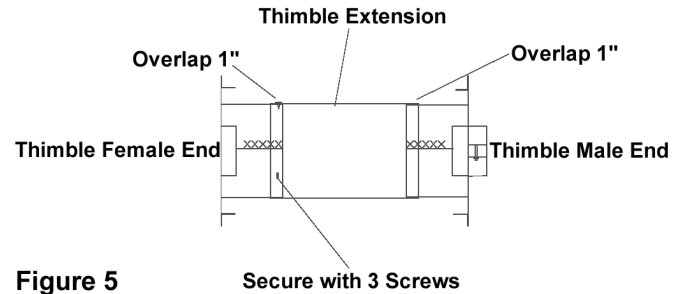


Figure 5

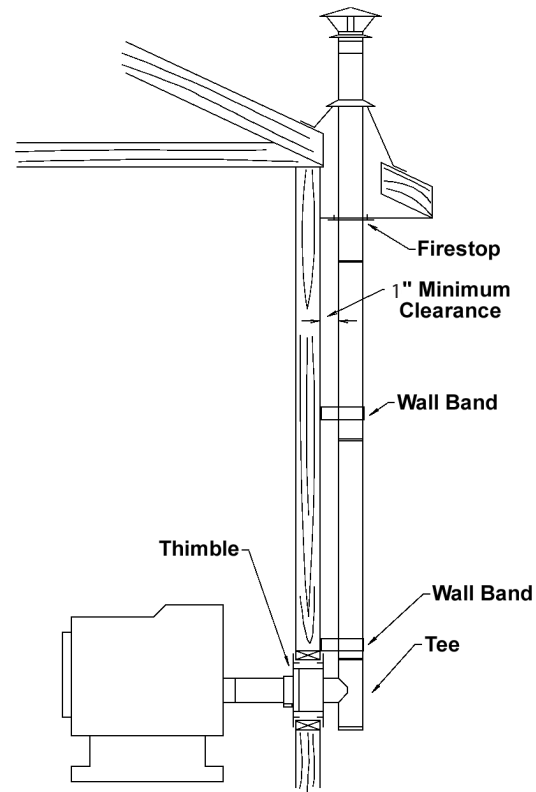


Figure 6

- 2.7 Use additional vent sections as necessary. The vent must extend at least 6" outside of the combustible wall.
- 2.8 Tighten the thimble's clamp screw to secure the vent.
- 2.9 There are two alternative vent terminations. A 45-degree elbow may be used together with a collar with screen as shown in Figure 4, or as shown in section 2.2 and Figure 7.

3. Exterior - Vertical Installation

- 3.1 Follow instructions 2.1 to 2.5. See Figure 6.
- 3.2 Install a tee section to the vent penetrating the wall.
- 3.3 Run the vent vertically up the wall, ensuring to maintain a minimum of 1 inch of clearance between the wall and vent.
- 3.4 A wall band must be installed just above the tee and at least every 6 feet thereafter for proper support.
- 3.5 The vent may be run up through a roof overhang. In this case, use a flashing, storm collar, and rain cap as indicated in instructions 1.15 to 1.17.

4. Exterior - Short-Rise Installation

- 4.1 Follow instructions 3.1 to 3.4.
- 4.2 After a rise of at least 3 feet (consult appliance manufacturer's installation instructions for minimum vent rise), install a 90-degree elbow aimed out from the building wall.
- 4.3 Attach a 45-degree elbow to the 90-degree elbow, aiming the second elbow down toward the ground. Terminate the vent with a collar with screen fastened to the 45-degree elbow. See Figure 7.

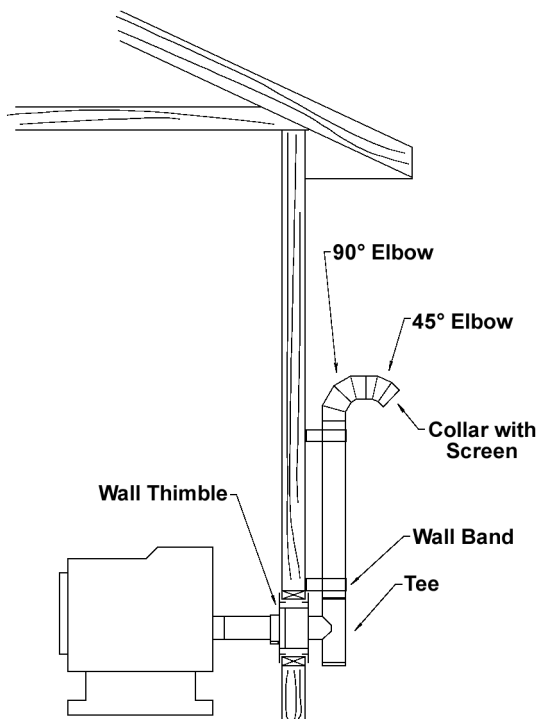


Figure 7

- 4.4 This configuration will help prevent blockage of vent by snow drifts. Also, the vertical rise will improve drafting and allow for easier cleaning of the tee by removal of the cleanout.

- 4.5 Appliance manufacturers will recommend a minimum vent rise. Check your appliance installation instructions for recommendations and/or requirements.

5. Maintenance and Cleaning Instructions

- 5.1 With a new installation, the vent should be inspected frequently (every two weeks) to determine the rate of creosote formation. When familiar with the appliance and chimney characteristics, the vent should be inspected at least once every two months during the heating season to determine if a creosote or soot build-up has occurred. Accumulation of creosote or soot build-up of 1/16" or more must be removed to reduce the risk of a chimney fire. The vent shall be inspected annually and cleaned as often as may be necessary to keep the vent free from dangerous accumulation of combustible deposits.
- 5.2 Use a plastic brush to clean your vent. A metal brush may scratch the vent liner and lead to premature corrosion.
- 5.3 To reduce corrosion in the liner, the vent must be thoroughly cleaned within 48 hours of shutting down the appliance for the season, and all soot must be removed from the vent system. Vent deposits will have their most corrosive effect during humid summer weather.
- 5.4 Vent installation must provide access for inspection and cleaning.
- 5.5 Do not use chemical cleaners in this vent system. They do not eliminate the need for manual cleaning and may be corrosive to vent materials. This is in conjunction with a complete evaluation and visual inspection of the system by a professional chimney sweep.
- 5.6 Vent exterior may be painted with a heat-resistant paint. This will extend its life and improve the appearance. To improve adhesion to the vent, degrease, clean and prime before painting. Follow the paint manufacturer's instructions.
- 5.7 Horizontal vent terminations may tend to distribute combustion by-products in a manner that leads to discoloring of building walls. This condition is caused by the system configuration and does not indicate a failure of the vent cap.

LIMITED LIFETIME WARRANTY

American Metal Products Group warrants AmeriVent Pellet Vent Plus products to be free from defects in material and workmanship for as long as the original consumer owns the system. For products installed after July 1, 2007, for a period of ten (10) years from original installation, we will provide replacement product with a similar or like quality of available product, free of charge excluding any installation costs. From the eleventh (11th) through fifteenth (15th) years, we will provide replacement product to the original consumer at a cost of 75% off the published retail price in effect on the date the claim is received, excluding any installation costs. At expiration of the fifteen- (15) year term, we will provide replacement product to the original consumer at a cost of 50% off the published retail price in effect on the date the claim is received, excluding any installation costs.

LIMITATIONS

Products must be installed for their intended purpose and in accordance with current installation instructions. Products must be connected to an appliance listed with an accredited testing laboratory.

WARNING: FAILURE TO INSTALL AMERIVENT PRODUCTS ACCORDING TO THE MANUFACTURER'S INSTRUCTIONS WILL VOID ALL APPLICABLE WARRANTIES AND MAY RESULT IN FIRE, CARBON MONOXIDE POISONING OR DEATH. SEE OUR INSTALLATION INSTRUCTIONS FOR COMPLETE INSTALLATION PROCEDURES.

WARRANTY COVERAGE

This warranty covers any substantial defects in material and workmanship in normal use that are found to exist in any of the insulated chimney and venting sections or component parts of your chimney or venting, with the exception stated below.

THIS WARRANTY DOES NOT COVER:

- (a) any nonstainless base tee unit mounted or connected to an insulated chimney system;
- (b) costs (labor or otherwise*) associated with either removing a previously installed product, installing a replacement product, transportation or return of a product, or transportation of replacement product;
- (c) damage to the finish of products caused by the use of improper solvents/chemicals or improper cleaning methods or lack of;
- (d) damage resulting from failure to reasonably clean, care for, or maintain products in accordance with our installation instructions/recommendations;

- (e) damage (to products, appliances or structure) on or resulting from improper installation or repair, misuse or abuse (including, but not limited to, excessive or improper operating condition), or alteration or adjustment other than in conformity with our installation instructions and specifications, whether performed by a contractor, service company, technician, or original consumer;
- (f) any products that have been moved from their original installation site;
- (g) damage caused by burning driftwood, garbage, or any other prohibitive material, which has been burned in the appliance served by the system;
- (h) damage that results from accidents such as fire, flood, high winds, "acts of God," or any other contingency beyond our control.

***Due to the wide variance in installation practices and other conditions beyond our control, we do not guarantee or in any way warrant the installation of chimney and venting products.**

CLAIM PROCEDURE

If you believe that a product is defective, notify us in writing at the following location.

American Metal Products Group
ATTN: Warranty Claims Department
5030 Corporate Exchange Blvd. SE
Grand Rapids, MI 49512

Notification should include a description of the product, model and serial number (if applicable) and a description of the product defect. Upon receipt of a written claim under this limited warranty and evidence of the date of purchase or installation, at our option and in our sole discretion, we will provide replacement product with similar or like quality of available product, excluding any installation costs. American Metal Products Group reserves the right to inspect or investigate any warranty claims prior to determining whether to provide replacement product. If, as determined by American Metal Products Group, repair or replacement of the product is not commercially practicable or cannot be completed in a timely manner, we may refund the purchase price paid for the product, prorated to the terms of this warranty, upon verification by providing a copy of your invoice or receipt of bill of sale.



American Metal Products Group 800-423-4270 *toll-free*
5030 Corporate Exchange Blvd. SE 616-656-8400 *phone*
Grand Rapids, MI 49512 800-626-3825 *toll-free fax*
www.americanmetalproducts.com 616-656-6388 *fax*
800-669-3190 *technical services*